

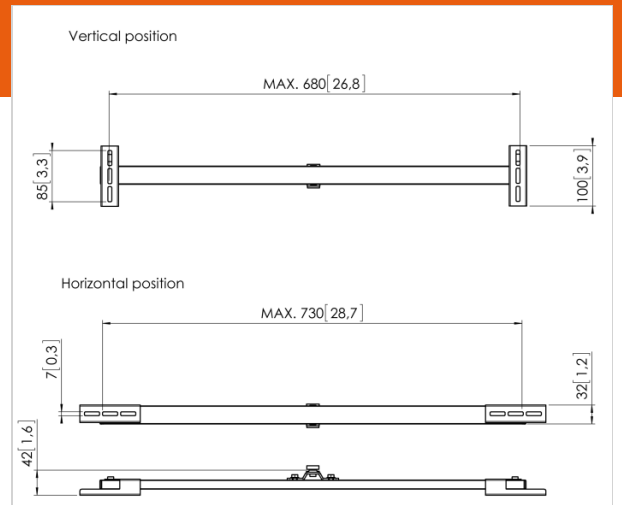


SOUND 3400 Sound Bar Mount

Article number (SKU) 8153400
Colour Black

Need a way to mount your soundbar so it fits seamlessly with your flat screen TV? The SOUND 3400 offers a stylish way to mount a soundbar to flat screen TVs that fit flat to the wall with a Vogel's cable column. This Sound Bar Mount and cable guiding system creates a clean look and feel for your entertainment centre with your cables hidden neatly out of sight.

This sound bar bracket can be used in combination with Vogel's cable columns (CABLE 10 or NEXT 7840) to easily hide and guide your cables. The height of the Sound Bar Mount can be adjusted to fit the height of the column and soundbar. It holds a maximum soundbar weight of 10 kg (22 lbs) and provides secure support for your soundbar.



SOUND 3400 Sound Bar Mount



VOGEL'S HOLDING BV 2017 (c) All rights reserved
Subject to printing errors, technical and price
amendments
Date: 15-05-2017

www.vogels.com

Specifications

Product specifications

Product type number	SOUND 3400
Article number (SKU)	8153400
Colour	Black
EAN single box	8712285326660
TÜV certified	Yes
Guarantee	5 years
Max. weight load (kg)	10

