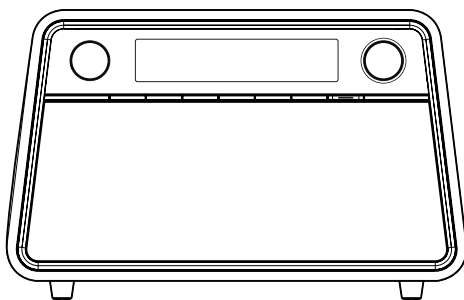
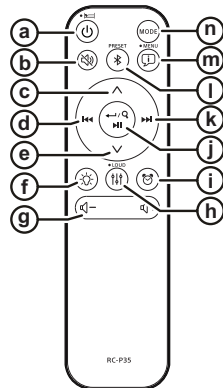
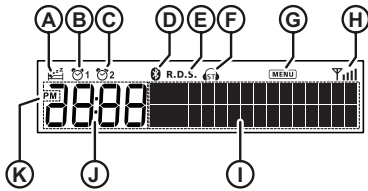
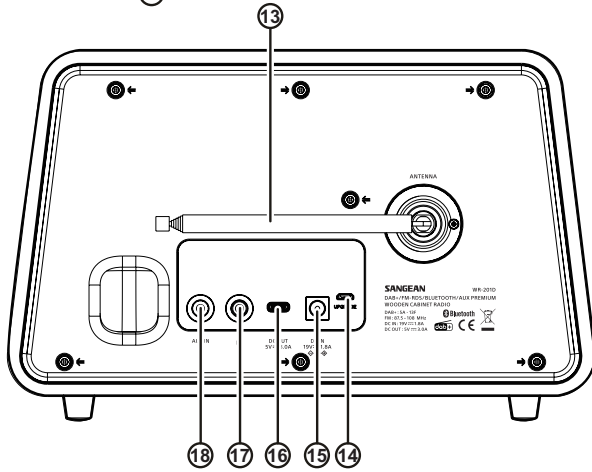
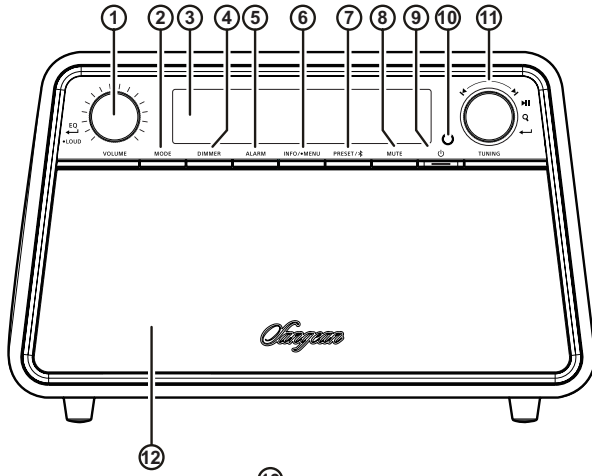


# WR-201D



**GB**

Version 1



The Bluetooth® word mark and logos are registered trademarks owned by Bluetooth SIG, Inc. and any use of such marks by SANGEAN ELECTRONICS, INC. is under license.

## Cautions

Do not allow this clock radio to be exposed to water, steam or sand. Do not leave your clock radio where excessive heat could cause damage such as in a parked car where the heat from the sun can build up even though the outside temperature may not seem too high.



- The name plate is located on the underside of the unit.
- Your clock radio should not be exposed to dripping or splashing and that no objects filled with liquids, such as vases, shall be placed on the clock radio.
- It is recommended to operate the product such that there is a minimum distance (10cm recommended) to adjacent objects in order to ensure good ventilation.
- The ventilation of the product should not be restricted by covering it or its ventilation openings with items such as newspapers, tablecloths, curtains etc.
- No naked flame sources such as lighted candles should be placed on the product.
- It is recommended to avoid using or storing the product at extremes of temperature. Avoid leaving the unit in cars, on window sills, in direct sunlight etc.

### CAUTION:

Risk of explosion if battery is replaced by an incorrect type.

### WARNING:

Don't disposal of a battery into fire or a hot oven, or mechanically crushing or cutting of a Battery.

Don't leaving a battery in an extremely high temperature surrounding environment.

To avoid battery subjected to extremely low air pressure.

 The symbol indicates DC voltage.

## Controls

- 1 Volume knob / EQ / Loudness button
- 2 Mode button
- 3 LCD display
- 4 Dimmer button
- 5 Alarm button
- 6 Info / Menu button
- 7 Preset / Bluetooth pairing button
- 8 Mute button
- 9 Power / Sleep button
- 10 Remote control sensor

- 11 Tuning / Previous track / Next track knob / Select / Autotune / Play / Pause button
- 12 Speaker
- 13 Telescopic antenna
- 14 Software upgrade socket for service use only
- 15 DC in socket
- 16 USB charge socket
- 17 Headphone socket
- 18 Aux in socket

## Remote control

- a Power / Sleep button
- b Mute button
- c Tuning up button
- d Previous track / Rewind button
- e Tuning down button
- f Dimmer button
- g Volume up / down button
- h EQ / Loudness button
- i Alarm button
- j Select / Autotune / Play / Pause button
- k Next track / Fast forward button
- l Preset / Bluetooth pairing button
- m Info / Menu button
- n Mode button

### Note:

All instructions in the manual use the controls on the radio itself. If you would want to use the remote control instead, use the corresponding buttons on the remote control instead.

The operations described below for the face of the radio are the same as the operations for the remote control.

1. Rotate the **Tuning knob** on the radio is the same as pressing the **Tuning up / down button** on the remote control.
2. Pressing the **Tuning knob** on the radio is the same as pressing the **Select button** on the remote control.
3. Rotating the **Volume Knob** on the radio is the same as pressing the **Volume up / down button** on the remote control.

## LCD display

- (A) Sleep / Snooze indicator
- (B) Alarm 1
- (C) Alarm 2
- (D) Bluetooth icon
- (E) RDS indicator
- (F) FM Stereo indicator
- (G) Menu indicator
- (H) Signal level indicator
- (I) Frequency / Text display
- (J) Time display
- (K) PM time indicator

## Preparing the remote control

The radio's remote control requires two AAA batteries to operate. To place the batteries:

1. Open the battery compartment on the back of the remote control.
2. Insert two AAA batteries in the battery compartment with polarities as shown in the diagram inside the battery compartment.
3. Close the battery compartment again.

## Using the AC power adapter

The AC / DC Switching adapter supplied with this unit has an output of 19V-1.8A center pin positive. Insert the adapter plug into the DC socket on the rear of the radio. Plug the adapter into a standard AC outlet. The AC adapter should be disconnected from the AC outlet when not in use for long periods of time.

### IMPORTANT:

The AC adapter is used as the means of connecting the radio to your power supply. The AC adapter used for the radio must remain accessible during normal use. In order to disconnect the radio from the power supply completely, the AC adapter should be removed from the power supply outlet completely.

## Listening to DAB radio

### Tuning into DAB stations

To tune into DAB radio stations, follow these steps:

1. Fully extend the telescopic antenna located on the rear of your radio.
2. Press the **Power button** to turn on the radio.
3. Select the DAB radio mode by repeatedly pressing the **Mode button**.
4. If this is the first time the DAB radio mode is being used, the radio will automatically perform a full scan in order to find all available DAB radio stations. If the radio has been used before the last used station will be selected.
5. During the scanning process, as new stations are

detected the station counter will increase and the stations will be added to the list which is stored in the radio.

6. When the scanning is completed, the first station will be selected. Rotate the **Tuning knob** to access the radio station list and scroll through the available stations. Then press the **Tuning knob** to tune into a station.
7. Rotate the **Volume knob** to set the sound level as needed.

## The DAB radio menu

You can enter the DAB radio menu by pressing and holding the **Info / Menu button** while the radio is in the DAB radio mode.

Rotate the **Tuning knob** to select one of the options, then press the **Tuning knob** to confirm your choice. To exit menu options, press the **Info / Menu** button.

The radio's default and recommended settings are indicated using an asterisk.

The DAB radio menu offers the following options:

- **[Full Scan]:** Select this option to perform a full scan and store all DAB radio stations that were found in the station list.
- **[Manual Tune]:** Select this option to manually tune into a DAB channel / frequency.
- **[Station Order]:** Select this option and subsequently select **[Alphanumeric]** to sort the station list alphabetically, select **[Ensemble]** to sort the station list by DAB multiplex, or select **[Active]** to sort the station list by active / inactive stations.
- **[Prune Invalid]:** Select this option to delete all unavailable stations from the station list.
- **[DRC]:** Dynamic Range Control (also known as DRC) can make quieter sounds easier to hear when your radio is used in a noisy environment by reducing the dynamic range of the audio signal.

After selecting this option, select the desired DRC setting:

**[Off]:** DRC is switched off. Broadcast DRC will be ignored. This is the default setting.

**[Low]:** DRC level is set to 1 / 2 that sent by broadcaster.

**[High]:** DRC is set as sent by broadcaster.

**NOTE:** Not all DAB broadcasts are able to use the DRC function. If the broadcast does not support DRC, then the DRC setting in the radio will have no effect.

- **[System Settings]:** Select this option to go to the system settings menu and configure the radio (refer to the chapter "Using the system settings menu" for details).

## Showing DAB information on the display

When listening to a DAB radio broadcast, repeatedly press the **Info / Menu button** to cycle through the following information on the radio's display:

Scrolling text (DLS), Program type, Multiplex name, Channel & frequency, Bit rate & audio type, Signal strength, Date.

## Listening to FM radio

### Tuning into FM stations

To tune into FM radio stations, follow these steps:

1. Fully extend the telescopic antenna located on the rear of your radio.
2. Press the **Power button** to turn on the radio.
3. Select the FM radio mode by repeatedly pressing the **Mode button**.
4. Rotate the **Tuning knob** clockwise or anti-clockwise and then press the **Tuning knob** to automatically tune into an FM station with a higher or lower frequency respectively. Your radio will stop scanning when it finds a station of sufficient strength. The display will show the frequency of the signal which has been found. If RDS information is available, after a few seconds the display will show the radio station name.
5. Rotate the **Tuning knob** to fine-tune the frequency with steps of 0.05MHz if needed.
6. Repeat the steps 4 and 5 to tune into other radio stations.
7. Rotate the **Volume knob** to set the sound level as needed.

### The FM radio menu

You can enter the FM radio menu by pressing and holding the **Info / Menu button** while the radio is in the FM radio mode.

Rotate the **Tuning knob** to select one of the options, then press the **Tuning knob** to confirm your choice. To exit menu options, press the **Info / Menu button**.

The radio's default and recommended settings are indicated using an asterisk.

The FM radio menu offers the following options:

- **[APS]:** Auto preset system (APS) will automatically scan and preset the received stations in the order of signal strength. i.e. the best reception station will be preset at Preset 1 and so on. Select this option to initiate the scan.
- **[Audio Settings]:** Select this option to configure if the radio should only play FM stations in mono. Forcing the radio to play FM broadcasts in mono can help reduce noise when listening to FM broadcasts. To switch back to Auto (stereo) mode, select the "Auto" option.
- **[Scan Zone]:** Select this option to configure if the radio should only look for strong signals ("Local") or all signals ("Distant") when using the automatic tuning feature.
- **[System Settings]:** Select this option to go to the system settings menu and configure the radio (refer to the chapter "Using the system settings menu" for details).

### Showing FM information on the display

When listening to a FM radio station that is also broadcasting RDS data, repeatedly press the **Info / Menu button** to cycle through the following information on the radio's display:

Radio text, Program type, Frequency, Audio type, Signal strength, Date.

### Presetting stations in DAB and FM modes

There are 10 presets each for DAB and FM radio. They are used the same way for each operating mode.

1. Press the **Power button** to turn on your radio.
2. Tune to the required radio station as previously described.
3. Press and hold the **Preset button** until the display shows the "Store Preset" screen.
4. Rotate the **Tuning knob** to select the desired preset number.
5. Press the **Tuning knob** to store the preset station. "Preset X Stored" will be shown on the display indicating the station is stored under the selected preset number.
6. Repeat this procedure as needed for the remaining presets. If another station has already been stored under the chosen preset number, that station will be overwritten.

GB

### Recalling a preset in DAB and FM modes

1. Press the **Power button** to turn on your radio.
2. Select the DAB or FM radio mode using the **Mode button**.
3. Press the **Preset button** to display the "Preset Recall" screen.
4. Rotate the **Tuning knob** to select a preset number.
5. Press the **Tuning knob** to confirm your choice. The radio will tune into the selected preset. The chosen preset number is also shown on the display.

### Listening to music via Bluetooth streaming

You need to pair your Bluetooth device with your radio before you can auto-link to play / stream Bluetooth music through your radio. Pairing creates a 'bond' so the two devices can recognize each other.

### Pairing and playing your Bluetooth device for the first time

1. With your radio switched on, press the **Mode button** to select Bluetooth mode. The display will show "Bluetooth Pairing" and the Bluetooth icon will blink on the display to indicate that the radio is available for Bluetooth pairing.
2. Activate Bluetooth on your device according to the device's user manual to link to the radio. Locate the Bluetooth device list and select the device named "WR-201D" (With some Smartphone's that are equipped with earlier versions than BT2.1 Bluetooth device, you may need to input the pass code "0000").
3. Once connected, there will be a confirmation tone sound. The name of your connected Bluetooth device will show on the display and the Bluetooth icon will stop blinking. You can simply select and play any music from your Bluetooth device.

4. The volume control can be adjusted from your Bluetooth device, or directly from the radio. Use the controls on your Bluetooth-enabled device or on the radio to play / pause and navigate tracks.

#### NOTE:

- If 2 Bluetooth devices are pairing for the first time, both will search for your radio, it will show its availability on both devices. However, if one device links with this unit first, then the other Bluetooth device will not find it on the list.
- If you take your source device out of range, the connection will be temporarily disconnected to your radio. Your radio will automatically reconnect if the source device is brought back in range. Be aware that during the period of disconnection, no other Bluetooth device can pair or link with your radio.
- If “WR-201D” shows in your Bluetooth device list but your device cannot connect with it, please delete the item from your list and pair the device with the radio again following the steps described previously.
- The effective operation range between the system and the paired device is approximately 10 meters (30 feet). Any obstacle between the system and the device can reduce the operational range.
- Bluetooth connectivity performance may vary depending on the connected Bluetooth devices. Please refer to the Bluetooth capabilities of your device before connecting to your radio. All features may not be supported on some paired Bluetooth devices.
- With some mobile phones, making / receiving calls, text messages, e-mails or any other activities unrelated to audio streaming may mute the Bluetooth audio streaming or even temporarily disconnect from your device. Such behavior is a function of the connected device and does not indicate a fault with your WR-201D.

### Playing audio files in Bluetooth mode

When you have successfully connected your radio with the chosen Bluetooth source device you can start to play your music using the controls on your connected Bluetooth device.

1. Once playing has started, the volume can be adjusted both on the radio using the **Volume knob** and on the Bluetooth device using the volume control of the device.
2. Playback can be controlled both on the radio and on the Bluetooth device as well. When using the radio's controls:
  - Press the **Tuning knob / Play / Pause button** to start audio playback or to pause / resume playback.
  - Rotate the **Tuning knob** (alternatively, press the **Next track** or **Previous track button** on the remote control) to go to the next or previous track.
  - Press and hold the **Fast forward** or **Rewind button** on the remote control to fast forward or rewind within a track and release the button when the desired point is reached.

#### NOTE:

Not all player applications or devices may respond to all of these controls.

### Bluetooth display options

If your connected device can provide information from the track being played, your radio can display the following in Bluetooth mode:

Device Name, Artist, Title, Album, Date.

Press the **Info / Menu button** to cycle through the various options.

Please note that the availability of information depends on the specific media format.

### Reconnecting a previously-paired Bluetooth source device

The radio can memorize up to 8 sets of paired Bluetooth devices, when the memory exceeds this amount, the earliest pairing device will be overwritten from the device.

If your Bluetooth device already paired with the radio previously, the unit will memorize your Bluetooth device and it attempts to reconnect with a Bluetooth device in memory which is last connected.

### The Bluetooth menu

You can enter the Bluetooth menu by pressing and holding the **Info / Menu button** while the radio is in the Bluetooth mode.

Rotate the **Tuning knob** to select one of the options, then press the **Tuning knob** to confirm your choice.

The Bluetooth menu offers the following options:

- **[Forget Devices]:** Select this option to have the radio forget all devices it has previously paired with.
- **[System Settings]:** Select this option to go to the system settings menu and configure the radio (refer to the chapter “Using the system settings menu” for details).

### Disconnecting your Bluetooth device

Press and hold the **Bluetooth pairing button** for 2-3 seconds until “Bluetooth Pairing” appears on the display or turn off Bluetooth on your Bluetooth device to disable the connection.

You can also press the **Mode button** to select any mode other than Bluetooth mode to disable the connection.

#### NOTE:

The Auto-Power management function will be activated in Bluetooth mode. If there is no signal from Bluetooth for a period of over 15 minutes(except for the mute function), the radio will automatically switch to standby mode. Pressing the **Power button** will wake up the unit.

### Using the system settings menu

The system settings menu can be used to configure the radio. Follow these steps to access the system settings:

1. Turn on the radio using the **Power button**.
2. Press and hold the **Info / Menu button** to enter the menu for the current mode.
3. Rotate the **Tuning knob** to select **[System Settings]**, then press the **Tuning knob** to enter the **[System Settings]** menu.

(When the radio is in AUX IN or standby mode, press and hold the **Info / Menu** button to directly enter the **[System Settings]** menu.)

The system settings menu offers the following options:

Rotate the **Tuning knob** to select an option or a value, then press the **Tuning knob** to confirm your choice. To exit menu options, press the **Info / Menu** button.

The radio's default and recommended settings are indicated using an asterisk.

- **[Time]:** Select this option to set the time and date manually, to set the source for automatically updating the time and date and set the time format.
- **[Set Snooze Time]:** The snooze time setting can be adjusted between 5 and 20 minutes. Select this option to set the desired snooze time.
- **[Language]:** Select this option to configure the language in which the radio's menus are shown.
- **[Backlight]:** Select this option to configure the brightness of the radio's backlight. You can also directly press the **Dimmer button** to adjust the backlight.
- **[Factory Reset]:** Select this option to reset the radio to the default factory settings. After confirmation, all user settings and preset stations will be erased.
- **[SW Version]:** Select this option to view the software version of the radio.

## Setting alarms

Your radio has two alarms which can be set to wake you up by DAB, FM radio or buzzer alarm. Ensure that the time is set correctly before setting alarms.

**NOTE:** If no buttons are pressed for 10 seconds, your radio will exit the alarm setup.

1. Press the **Alarm button** to enter the alarm setting.

### NOTE:

If the time is not set before setting the alarms, "Time is not set" will show on the display. Use the **Tuning knob / Select button** to set the time and date. When the setting is complete, proceed to step 2.

2. Rotate the **Tuning knob** to select the alarm you want to set, then press the **Turning knob** to confirm.
3. Rotate the **Tuning knob** to select **[Off]** or **[On]**. If **[Off]** is selected, the alarm settings will be exited and any current settings for that alarm will be cancelled. With **[On]** selected, use the **Tuning knob / Select button** to set the alarm time.
4. Rotate the **Tuning knob** to select the mode that is used for the alarm. Then press the **Tuning knob** to confirm.
5. Rotate the **Tuning knob** to select the alarm frequency, the available settings here are **[Daily]**, **[Once]**, **[Weekdays]** and **[Weekends]**. Then press the **Tuning knob** to confirm.
6. If setting alarm to Buzzer proceed to step 7. When your alarm is set to wake you up by DAB or FM radio, rotate the **Tuning knob** to select a preset or the last listened station as the alarm source. Press the **Tuning knob** to confirm.

7. Rotate the **Tuning knob** to set the alarm volume. Press the **Tuning knob** to confirm. Your alarm setting is now completed. The corresponding alarm symbol will be shown on the display.

### NOTE:

- When an alarm sounds, press the **Power button** to turn off the alarm and switch the radio back to the standby mode. If the radio cannot connect to the specified radio station, the buzzer alarm will be used instead. When the radio or buzzer alarm sounds, using any button other than the **Power button** and **Volume knob** will snooze the alarm for the selected number of minutes.

While the snooze timer is active the remaining snooze time is shown on the display. To cancel the Snooze timer while the alarm is suspended, press the **Power button**.

- The alarms will sound with gradually increasing volume (Humane Waking System). When the buzzer alarm activates, it will sound for 1 minute and silence for 1 minute in repetition for 60 minutes unless cancelled.

## Sleep timer

Your radio can be set to turn off after a preset time has elapsed.

1. Press and hold the **Sleep button** to enter the sleep timer setting.
2. Rotate the **Tuning knob** to select the desired sleep time.
3. Press the **Tuning knob** to confirm. When a sleep timer is active, a sleep timer icon will be shown on the display. After the sleep time has elapsed, the radio will automatically switch to the Standby mode.
4. To cancel the sleep timer and turn off the radio before the preset time has elapsed, press the **Power button** to manually turn off the radio.

To cancel the sleep timer and leave the radio playing, go back into the sleep timer settings (steps 1 to 2 above) and select the "Off" option in step 2.

## Equaliser

### Select an EQ profile

1. When the radio is turned on, press the **EQ button** to access the EQ menu.
2. Rotate the **Volume knob** (alternatively, press the **Volume up / down** button on the remote control) to select an EQ profile. The available settings here are: "Normal" (default), "Jazz", "Rock", "Classic", "Pop", "News", "Soft", "My EQ", "My EQ Setup".
3. Press the **Volume knob** (alternatively, press the **EQ button** on the remote control) to confirm.

### Personalised EQ profile (My EQ Setup)

You can personalise the equaliser according to your preference.

1. Repeat the above steps and select "My EQ Setup".
2. Rotate the **Volume knob** to select "Bass", "Middle" 97

or “Treble”, then press the **Volume knob** to enter the adjustment mode.

3. Rotate the **Volume knob** to adjust the corresponding value, then press the **Volume knob** to confirm.

### Loudness on / off

Press and hold the **Loudness button** to enable or disable the radio's loudness function.

### Mute function

Press the **Mute button** to mute or unmute the sound output.

### AUX IN socket

A 3.5mm auxiliary input socket is provided on the back of your radio to allow an audio signal to be fed into the unit from an external audio device such as iPod, MP3 or CD player.

1. Press the **Power button** to switch on your radio.
2. Select the AUX IN mode by repeatedly pressing the **Mode button**.
3. Connect an external audio source to the Auxiliary input socket.
4. Adjust the volume setting on your external audio source to ensure an adequate signal level from the player, then rotate the **Volume knob** on the radio as needed for comfortable listening.

#### NOTE:

The Auto-Power management function will be activated in AUX IN mode. If there is no signal from the AUX input jack for a period over 15minutes (except for the mute function), the unit will automatically switch to standby mode. Pressing the **Power button** will wake up the unit.

### Headphone socket

A 3.5mm headphone socket located on the back your radio is provided for use with either headphones or an earpiece. Inserting a headphone plug automatically mutes the internal loudspeaker except for the alarm sound.

#### IMPORTANT:

Excessive sound pressure from earphones and headphones can cause hearing loss.

To prevent possible hearing damage, do not listen at high volume levels for long periods.



### Charging with USB socket

Your radio has a USB Type-C socket which is intended for charging a smartphone or similar device. Charge time may vary and in some cases may take longer to charge than when using the manufacturers charging unit supplied with the smart phone.

#### NOTE:

Charging mobile phones (for example) or other devices may affect the listening quality when listening to the DAB / FM radio.

#### IMPORTANT:

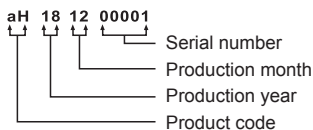
- The USB port has an output power of 5V / 3A in power off mode and 5V / 1.5A in power on mode. It does not support external hard disk drives and some mobile phones or electronic devices.
- The charger may not supply power to some USB devices.
- Do not connect a power source to the USB port. Otherwise there is a risk of fire. The USB port is only intended for charging lower voltage devices.
- Do not insert a nail, wire, etc. into USB power supply port. Otherwise a short circuit may cause smoke or fire.
- Do not connect this USB socket with your PC USB port, as it is highly possible that it may cause breakdown of both units.
- Never use the USB socket in rainy or moist conditions to prevent moisture from entering the radio.




## Specifications

Power Requirements	
<b>Mains</b>	AC 100~240 V 50/60 Hz, DC 19V / 1.8A Center Pin Positive (AC / DC switching adapter)
<b>Remote Control Battery</b>	2 x AAA
<b>Frequency Coverage</b>	
	FM 87.5-108 MHz
	DAB 174.928-239.200 MHz
Bluetooth	
Bluetooth specification	Bluetooth® Ver 5.2
Profile Support	A2DP, AVRCP
Bluetooth Audio CODEC	SBC, AAC
Transmitting Power Specification	Power Class 2
Line of sight range	10meters / 30feet
Frequency and maximum transmitted power	2402MHz ~ 2480MHz: 1.47dBm (Bluetooth EDR)
	2402MHz ~ 2480MHz: 1.82dBm (Bluetooth LE)
<b>Speaker Output Power</b>	15W
<b>Headphones Socket</b>	3.5mm dia. Stereo jack
<b>Aux In Socket</b>	3.5mm dia. Stereo jack
<b>Antenna System</b>	FM / DAB telescopic antenna
<b>USB Type-C socket</b>	5V / 3A Max. (Power off mode)
	5V / 1.5A Max. (Power on mode)
<b>Operating temperature range</b>	0°C to +35°C

※ The barcode label on the product is defined as below:



Sangean reserves the right to amend the specifications without notice.

 RECYCLING This product bears the selective sorting symbol for Waste electrical and electronic equipment (WEEE). This means that this product must be handled pursuant to European directive 2012/19/EU in order to be recycled or dismantled to minimize its impact on the environment.