

SOUND 4203 Speaker Wall Mount for SONOS PLAY:3 (white)

Article number (SKU) 8152031
 Colour White

Key benefits

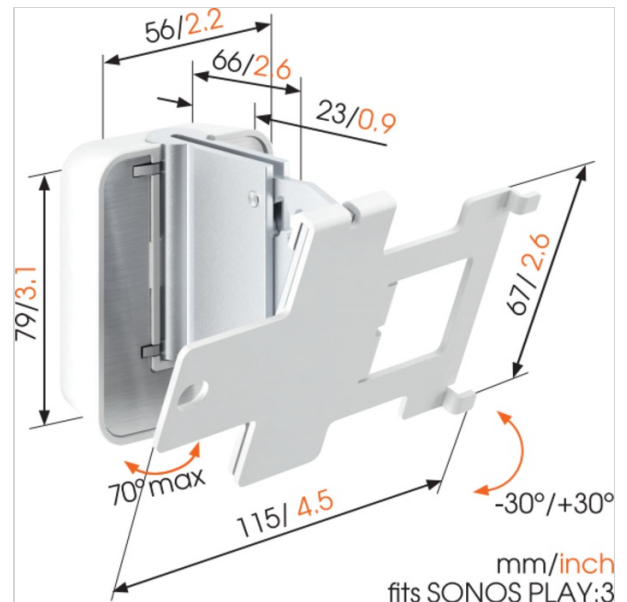
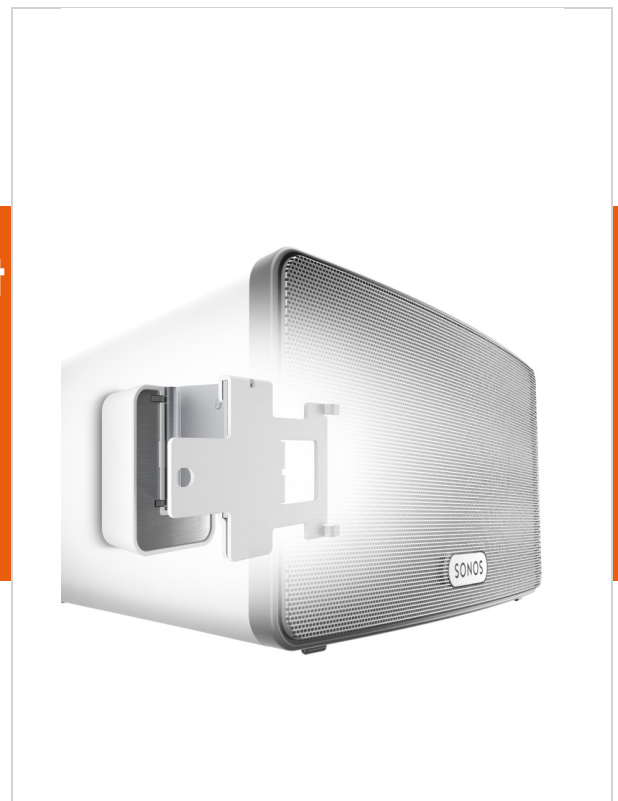
- Create the best listening position
- Easily adjust your speaker angle with one hand
- Integrated spirit level
- Can be positioned horizontally or vertically

Get more out of your Sonos PLAY:3

Integrate your Sonos PLAY:3 speaker seamlessly into your interior design by mounting it anywhere on your wall with the Vogel's SOUND 4203 wall bracket. Mount your speaker vertically or horizontally, in any convenient spot - with the wide turn (70°) and tilt (30° up and down) capacity of the bracket, you can always angle your speaker to provide the best acoustics. The low-profile wall bracket provides secure support for your Sonos PLAY:3 and comes in black or white to match the colour of your speaker. Installing the bracket perfectly straight is a breeze, thanks to the integrated spirit level.

Angle your speaker so it sounds best

The Vogel's wall mount for your Sonos PLAY:3 helps you save space while still creating the best listening position. Easily angle your speaker with one hand, and immerse yourself in music like never before. Are you looking for more positioning flexibility, without drilling holes? Vogel's also offers a floor stand for Sonos PLAY:3. Vogel's speaker wall mounts and floor stands are also available for Sonos PLAY:1 speakers.



SOUND 4203 Speaker Wall Mount for SONOS PLAY:3 (white)



VOGEL'S HOLDING BV 2017 (c) All rights reserved
Subject to printing errors, technical and price
amendments
Date: 15-05-2017

www.vogels.com

Specifications

Product specifications

Product type number	SOUND 4203
Article number (SKU)	8152031
Colour	White
EAN single box	8712285329685
TÜV certified	Yes
Tilt	Tilt -30°/+30°
Turn	Up to 70°
Guarantee	5 years

Technical specifications and dimensions

Speaker product size	PLAY:3
----------------------	--------

