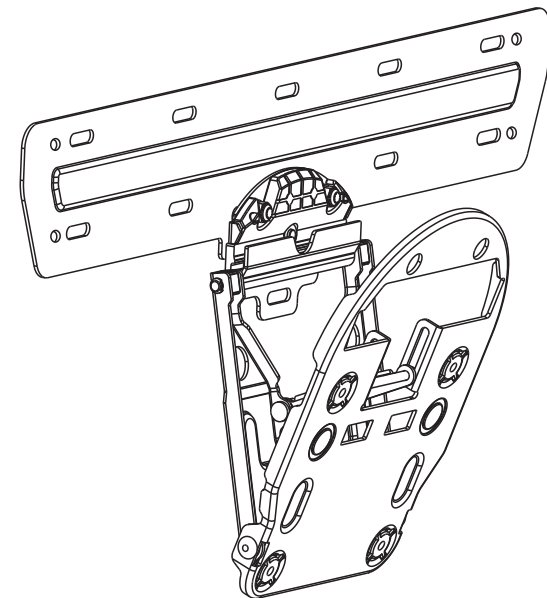


# ***EZYmount***

## **Installation Instructions**

### **LED TV Wall Mount**



***EZYmount***

Please dispose of this packaging in a responsible manner – recycle cardboard/plastic wherever possible.

**CANOHM**

4/30 Prohasky Street  
Port Melbourne, Victoria  
3207 Australia

Telephone 03 9644 7888  
Facsimile 03 9646 7366  
Email [sales@canohm.com.au](mailto:sales@canohm.com.au)  
[www.canohm.com.au](http://www.canohm.com.au)



**CAUTION:** DO NOT EXCEED RATED LISTED WEIGHT. SERIOUS INJURY OR PROPERTY DAMAGE MAY OCCUR!

**VSQ-LED1**



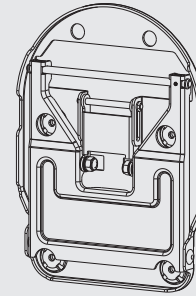
**NOTE:** Read the entire instruction manual before you start installation and assembly.

## WARNING

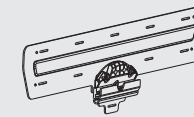
- Do not begin the installation until you have read and understood all the instructions and warnings contained in this installation sheet. If you have any questions regarding any of the instructions or warnings, please contact your local distributor.
- This mounting bracket was designed to be installed and utilised **ONLY** as specified in this manual. Improper installation of this product may cause damage or serious injury.
- This product should only be installed by someone with good mechanical ability who has basic building experience and fully understands this manual.
- Make sure that the supporting surface will safely support the combined weight of the equipment and all attached hardware and components.
- If mounting to wood wall studs, make sure that mounting screws are anchored into the centre of the studs. The use of a stud finder is highly recommended.
- Always use an assistant or mechanical lifting equipment to safely lift and position the equipment.
- Tighten screws firmly, but do not over tighten. Over tightening can cause damage to the items, This greatly reduces their holding power.
- This product is intended for indoor use only. Using this product outdoors could lead to product failure and personal injury.

## Component Checklist

**IMPORTANT:** Ensure that you have received all parts according to the component checklist prior to installation. If any parts are missing or faulty, telephone your local distributor for a replacement.



TV bracket  
A (x1)



wall plate  
B (x1)



EVA foam pad  
C (x4)



retractable screw  
D (x2)



retractable screw  
E (x2)



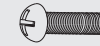
retractable screw  
F (x2)



retractable screw  
G (x2)



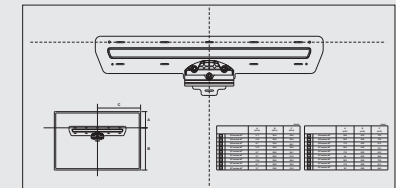
M4x8 (x4)  
H



M4x14 (x4)  
I

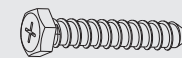


adhesive tape  
J (x1)

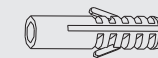


mounting template  
K (x1)

## Package W



ST6.3x55 (x6)  
W-A



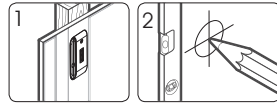
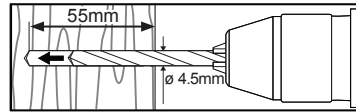
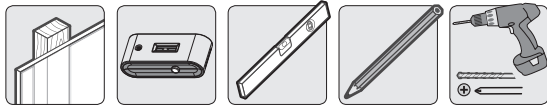
concrete anchor (x6)  
W-B



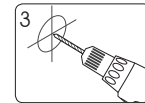
D6 washer (x6)  
W-C



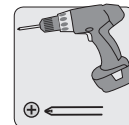
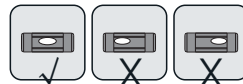
## 1a. For Wood Stud Wall Mounting



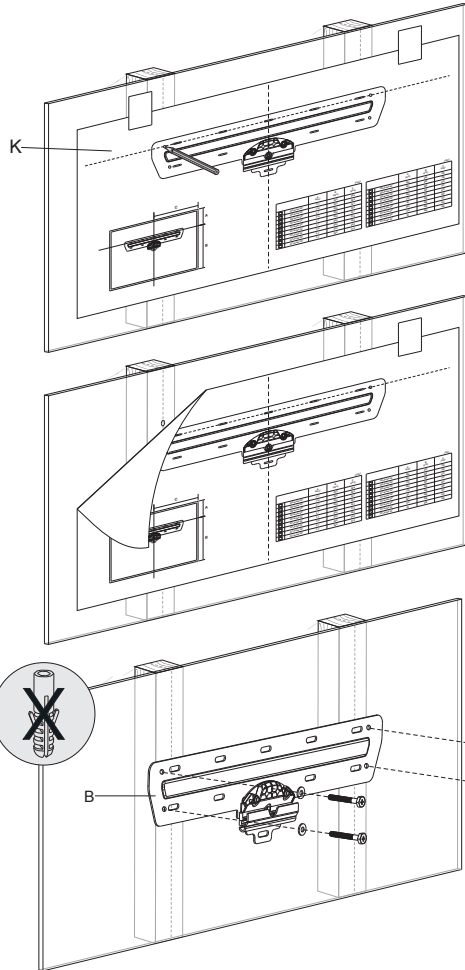
1 Find and mark the exact location of mounting holes



3 Drill pilot holes



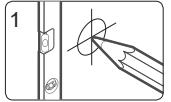
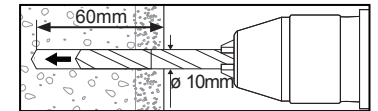
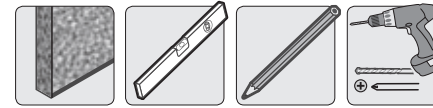
Screw the wall mount onto the wall



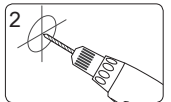
### ! WARNING

- Make sure that mounting screws are anchored into the centre of the studs. The use of a stud finder is highly recommended.
- Installers are responsible to provide hardware for other types of mounting situations.
- Installers must verify that the supporting surface will safely support the combined weight of the equipment and all attached hardware and components.

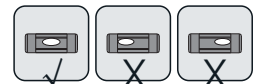
## 1b. For Solid Brick and Concrete Mounting



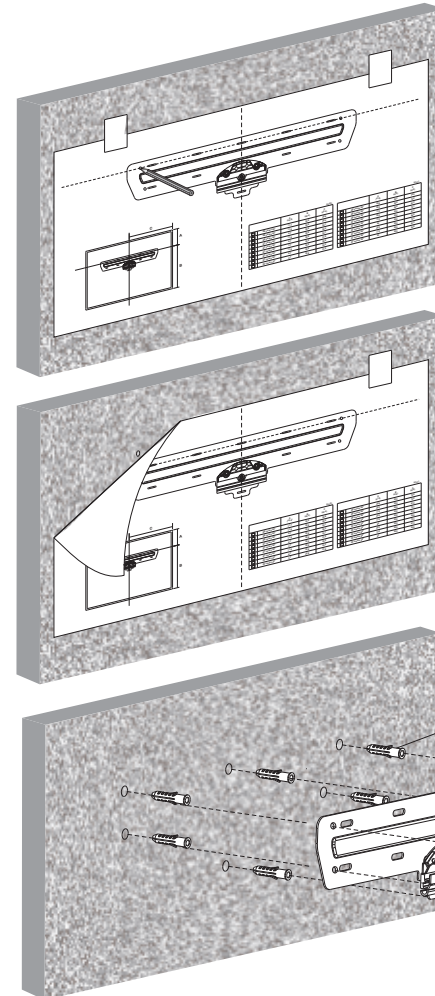
1 Mark the exact location of mounting holes



2 Drill pilot holes



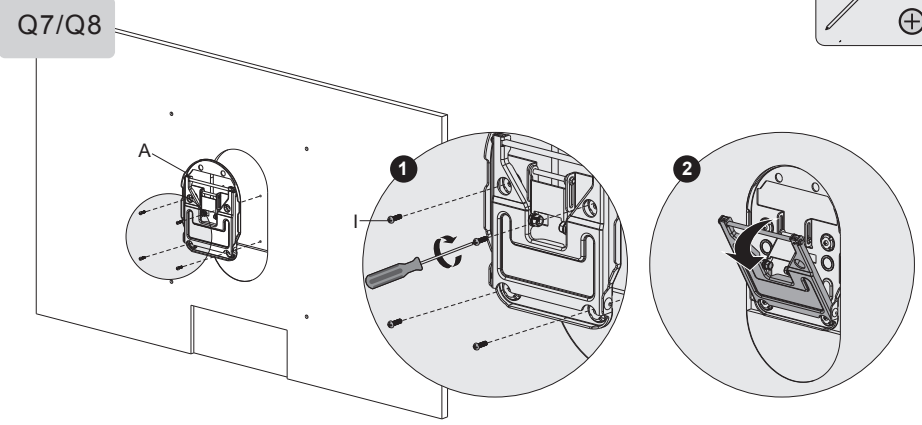
Screw the wall mount onto the wall



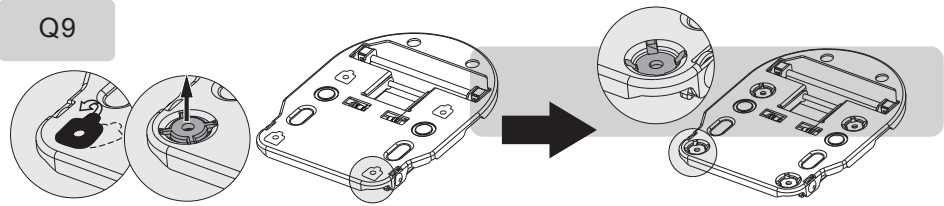
### ! WARNING

Installers must verify that the supporting surface will safely support the combined weight of the equipment and all attached hardware and components.

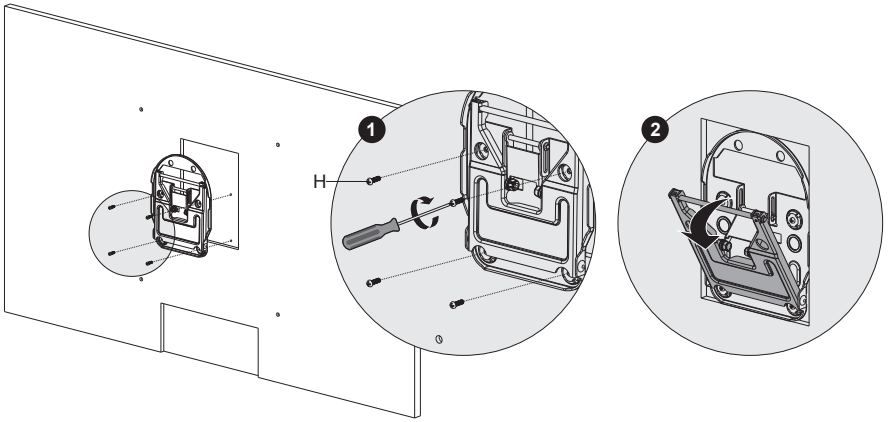
**2a. Install the TV Bracket to Q7/Q8/Q9 TVs**



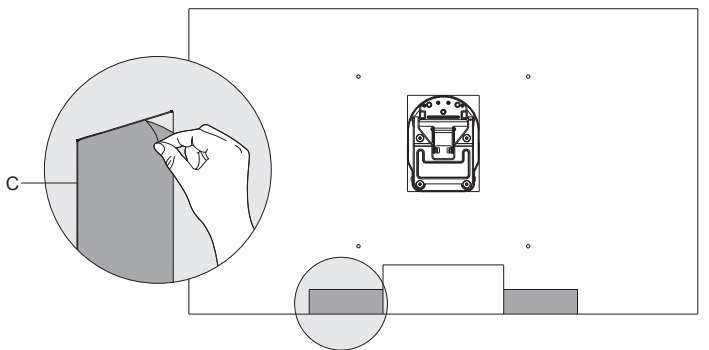
**2b-1 Remove the Bushings**



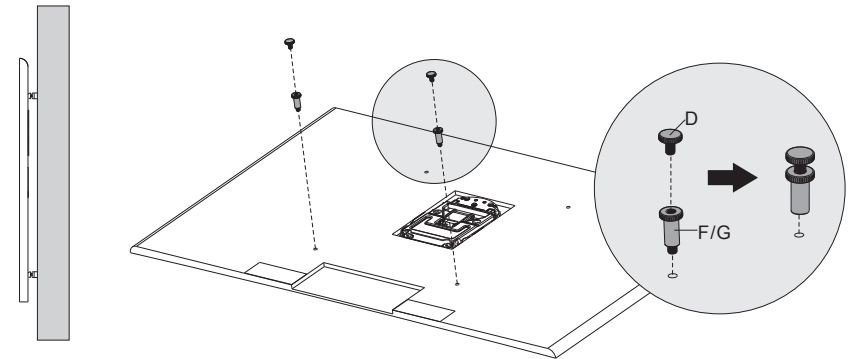
**2b-2 Install the TV Bracket to Q9 TVs**



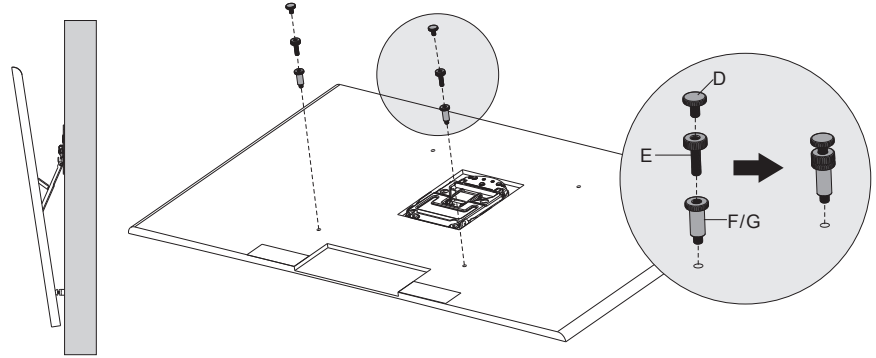
**3. Peel off the Protective Film and Stick the EVA Foam Pad to TV**



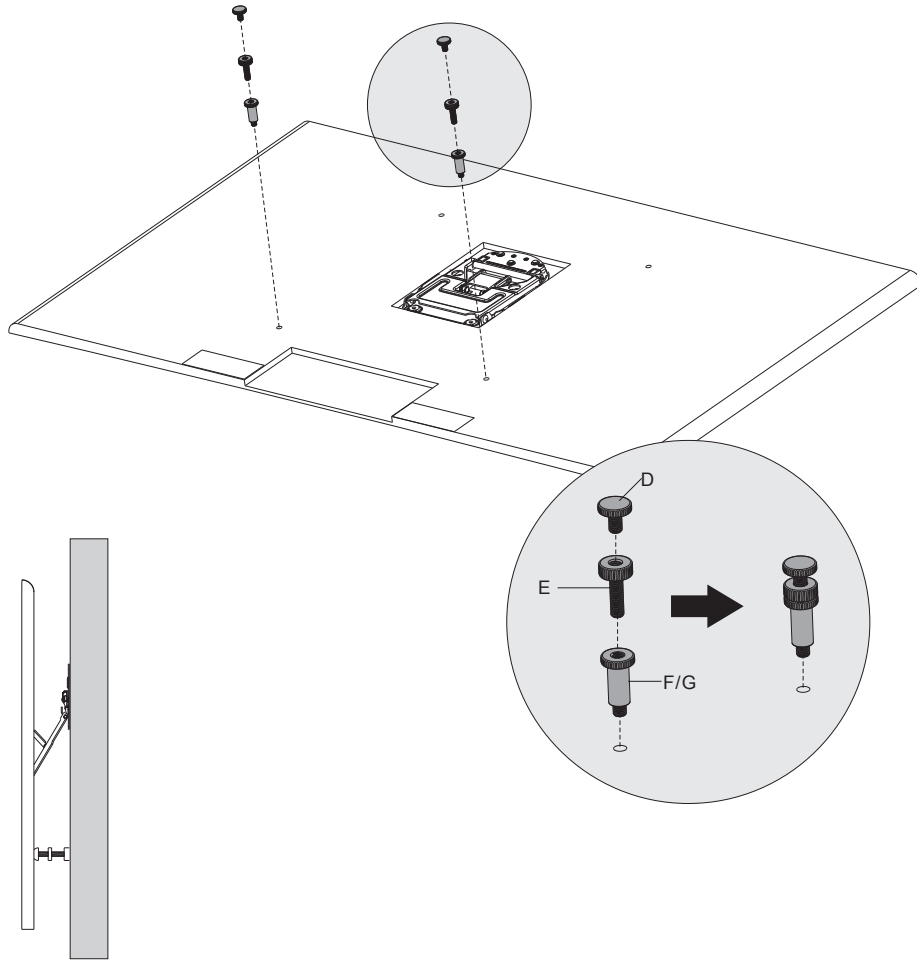
**4a. Install the Retractable Screws to TV**



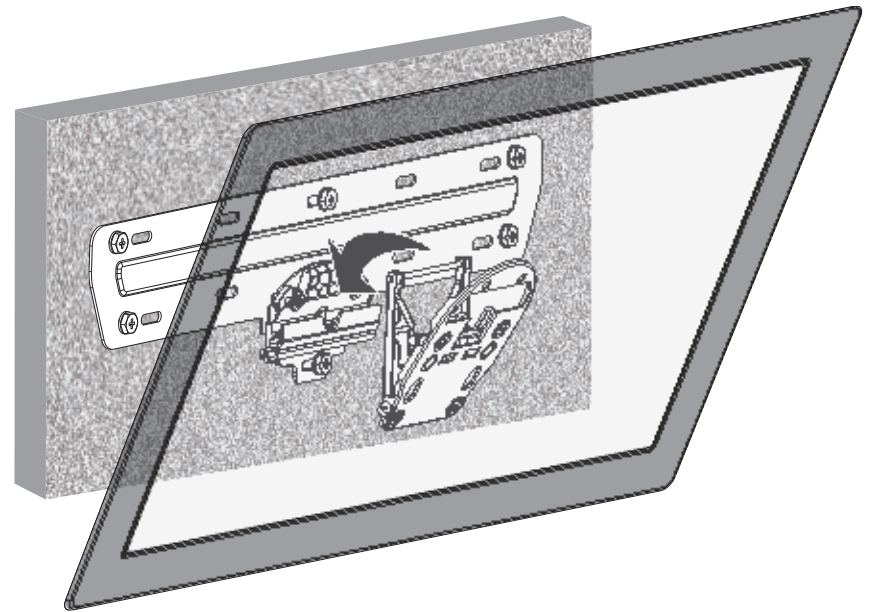
**4b. Install the Retractable Screws to TV**



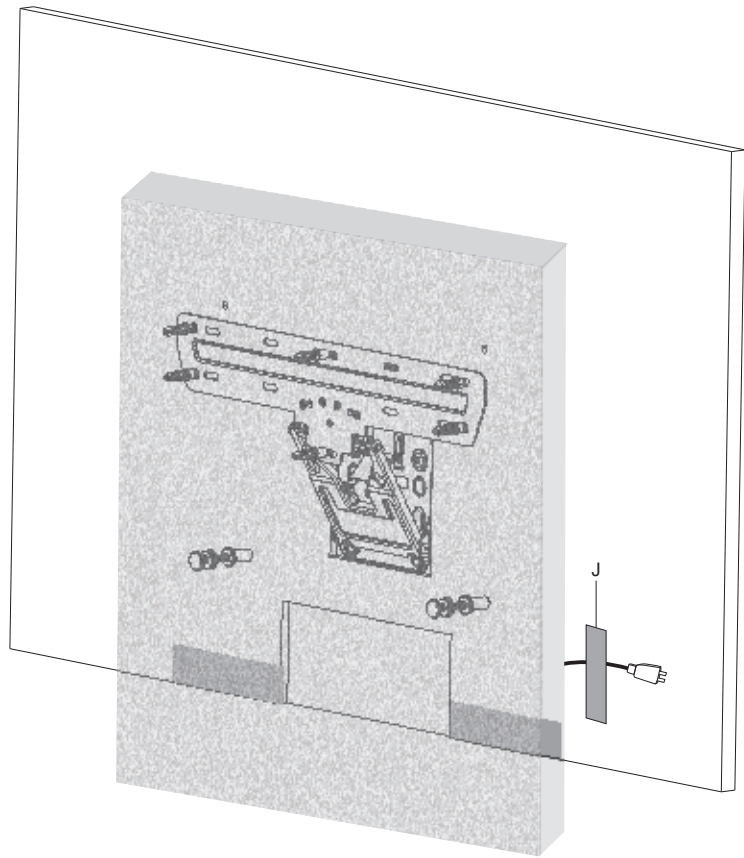
4c. Install the Retractable Screws to TV



5. Hooking the TV onto the Wall Mount



## 6. Cable Management



Stick the cable to the backside of the screen with the adhesive tape.

## 7. Adjustment

