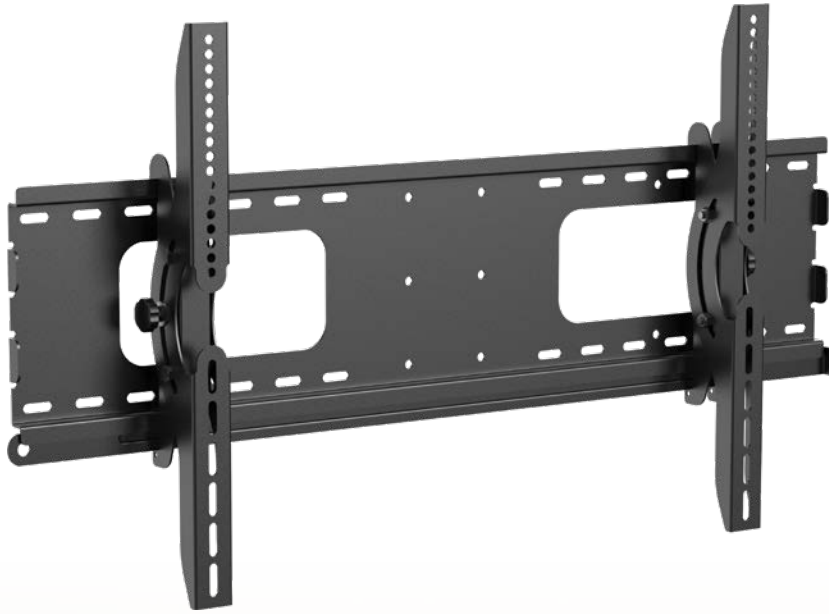


TILTING TV WALL MOUNT



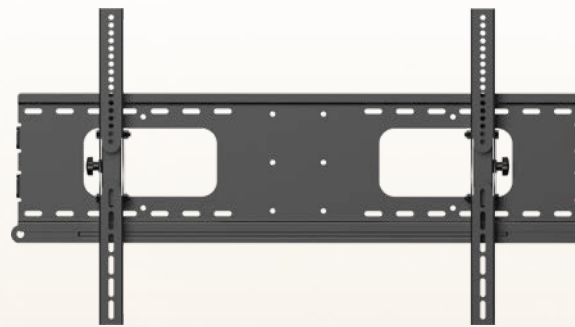
Super strong & dependable construction

Tilt range -15° to +15° for added versatility

Longer vertical rails allow height adjustment of TV*

Anti-theft secure mounting

Simple to install



ANTI-THEFT



TILT OPTIONS



8° TILT



0° TILT

SUITS MOST
TV SCREENS

40 TO 90
INCHES

WEIGHT
CAPACITY

75kg

VESA
UP TO

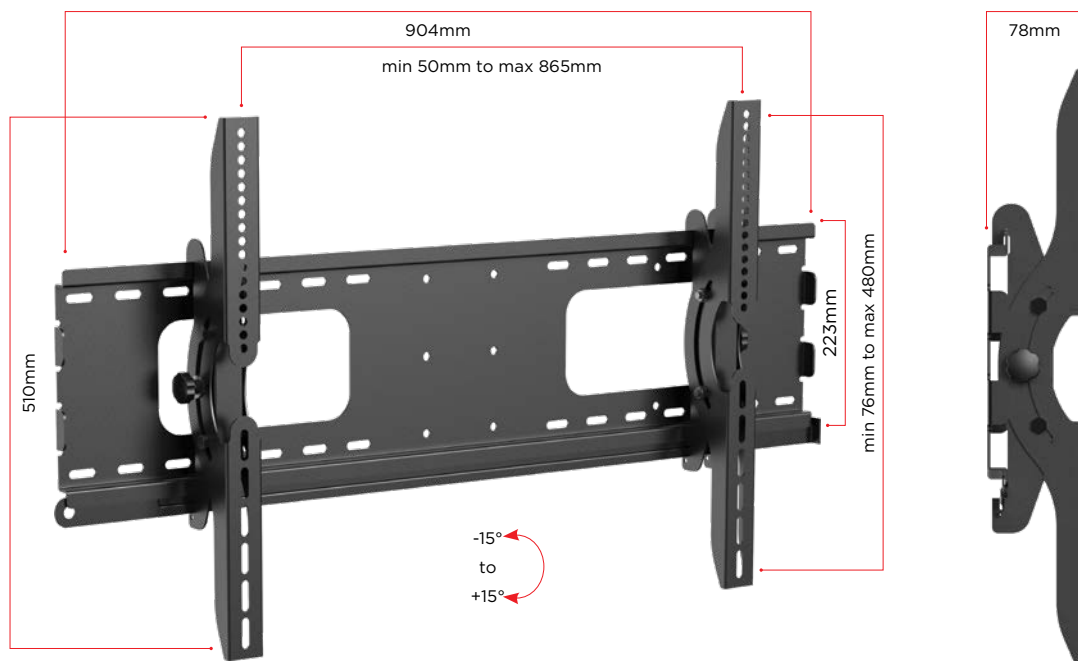
800 x 400
MM

COLOUR

BLACK



TILTING TV WALL MOUNT



FEATURES

EASY TILTING.

The screen can be adjusted $\pm 15^\circ$ to achieve the optimum viewing angle#. Simply loosen the two twist handles, tilt the screen as desired and re-tighten the handles. Other tilt mounts require you to choose from a small number of set positions. But the Ezymount VP-T150 Wall Mount's unique tilting system allows infinite adjustment within the entire tilting range.

(# Tilt range can be affected by larger screen sizes)

ANTI THEFT SECURE MOUNTING.

A unique securing method is employed to ensure the screen cannot be removed by unauthorised persons. Once the screen is positioned on the wall-plate a discrete locking rod slides neatly between the mounting rails and the wall-plate. Once in place a padlock (not included) can be fitted to the end of the locking rod making removal of the screen virtually impossible.

SPECIFICATIONS

COLOUR	Black
WEIGHT CAPACITY	75kg
SCREEN SIZES	40" to 90" (101cm to 228cm)
TILT RANGE	-15° to +15° (Tilt range can be affected by larger screen sizes)
MOUNTING SCREW HOLE PATTERN	Up to 865 x 480mm VESA: Up to 800 x 400mm
DISTANCE OF TV FROM WALL	78mm

UNIVERSAL.

Easily attaches to most 40" to 90" TV screens weighing up to 75kgs using the supplied hardware kit and without the need for special tools.

STRONG AND ATTRACTIVE.

Heavy gauge steel construction is powder coated in an attractive black finish. The stylish and unobtrusive design fits easily into any environment.

QUALITY.

The Ezymount VP-T150 Wall Mount is made from quality materials and is covered by a ten year warranty.

PACKAGE INCLUDES

Two universal tilting mounting rails, locking rod, wall mounting plate, mounting hardware and assembly instructions.

NOTE: If your TV, regardless of its screen size, weighs less than the weight capacity stated here, and the location of its mounting screw holes correspond with those listed, then this mount is suitable for your TV. Can include screens up to 100 inches.

* Vertical rails must be fitted centrally to the TV to allow for adjustment up and down. Height adjustment of the TV is limited to the length of the rails and how they are positioned on the mounting holes of the TV.



CANOHM

4/30 Prohasky Street,
Port Melbourne
Victoria 3207

Telephone: 1800 636 026
Email: sales@canohm.com.au
ezymount.com.au