

HEAVY-DUTY FLAT TV WALL MOUNT



Extra-large wall plate to suit larger TVs with a heavier weight

TV sits 32mm from wall - ample space for cables

Longer vertical rails allow height adjustment of TV*

Click-in Spring Lock secures your TV to the wall

Super strong & dependable construction



SUITS MOST
TV SCREENS
60 TO 100
INCHES

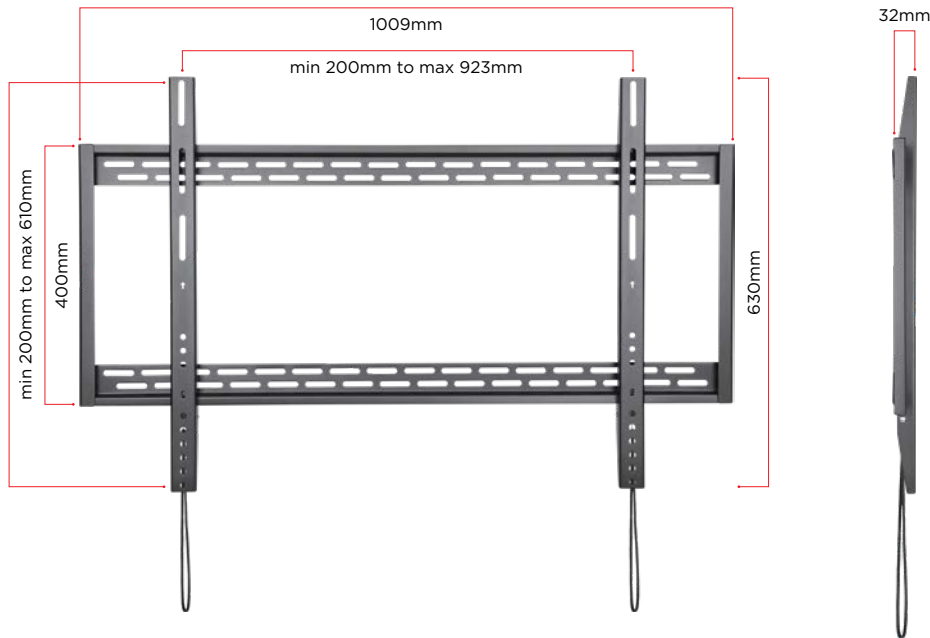
WEIGHT
CAPACITY
110kg

VESA
UP TO
900 x 600
MM

COLOUR
BLACK



HEAVY-DUTY FLAT TV WALL MOUNT



FEATURES

UNIVERSAL.

Easily attaches to most 60" to 100" TV screens weighing up to 110kgs using the supplied hardware kit and without the need for special tools. The slim design allows the screen to sit just 32mm from the wall while providing plenty of room to accommodate HDMI, audio, power and other cables that attach to the TV.

CONFIDENCE AND PEACE OF MIND.

The VP-F100 is equipped with an automatic click-in spring lock system with easy-release pull cords that securely attaches your extra-large flat panel TV to the wall plate. This gives you peace of mind that the TV cannot be accidentally bumped off the wall. Strength has been tested to a minimum of four times its stated weight capacity for ultimate safety and confidence.

STRONG AND ATTRACTIVE.

Heavy gauge steel construction is powder coated in an attractive black finish. The stylish and unobtrusive design fits easily into any environment.

QUALITY.

The Ezymount VP-F100 Wall Mount is made from quality materials and is covered by a ten year warranty.

PACKAGE INCLUDES

Universal mounting rails x 2, wall mounting plate, mounting hardware and assembly instructions.

SPECIFICATIONS

COLOUR	Black
WEIGHT CAPACITY	110kg
SCREEN SIZES	60" to 100" / 152cm to 254cm
MOUNTING SCREW HOLE PATTERN	VESA: 200x200, 300x300, 400x200, 400x400, 600x400, 800x400, 800x600, 900x600 compliant.
DISTANCE OF TV FROM WALL	630(H) x 1009(W) x 32(D)mm

NOTE: If your TV, regardless of its screen size, weighs less than the weight capacity stated here, and the location of its mounting screw holes correspond with those listed, then this mount is suitable for your TV. Can include screens above 100 inches.

* Vertical rails must be fitted centrally to the TV to allow for adjustment up and down. Height adjustment of the TV is limited to the length of the rails and how they are positioned on the mounting holes of the TV.



CANOHM

4/30 Prohasky Street,
Port Melbourne
Victoria 3207

Telephone: 1800 636 026
Email: sales@canohm.com.au
ezymount.com.au