

Screens  
**23-37"**  
58-94cm

Up to  
**400x200mm**  
VESA

Weight  
Capacity  
**30kg\***

**BLACK**



## VLA-4020

### ADAPTOR PLATE

Converts smaller TV mount VESA plates from 75x75mm up to 200x200mm to fit TVs with larger VESA patterns 200x200, 300x200 and 400x200mm\*

See over page for detailed product information

## VLA-4020

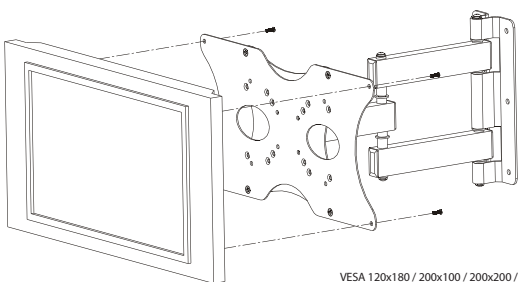
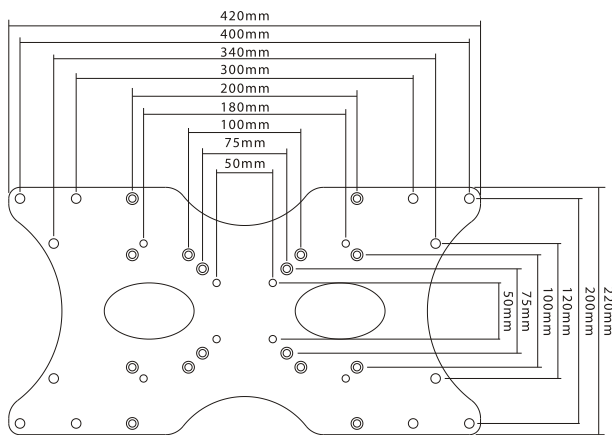
### Adaptor Plate

#### Features

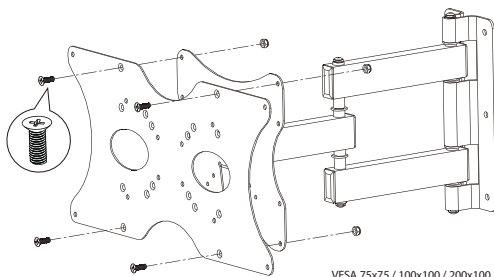
The VLA-4020 Adaptor Plate is primarily designed to convert 200 x 200mm VESA TV screen mounting plates to become 400 x 200mm in order to suit TV's equipped with this larger screw hole pattern.

Other options are also possible utilising the various screw hole patterns included on the Adaptor Plate. However, please use reasonable care to not exceed the operating and weight carrying capabilities of the mount this plate is to be attached to.

**\* Note:** Even though the larger screw hole pattern may suit your TV, it is important that the weight carrying capacity of the TV wall mount this adaptor plate will be attached to, is not exceeded.



VESA 120x180 / 200x100 / 200x200 / 300x200 / 400x200mm



VESA 75x75 / 100x100 / 200x100 / 200x200mm for fixing with bracket

#### Package includes

Adaptor plate, mounting hardware and assembly instructions (Wall mount not included).

#### Specifications

<b>Colour</b>	Black
<b>Capacity</b>	* Ensure the weight of the television does not exceed the weight capacity of this adapter plate (30kg) nor the TV mount this plate will be affixed to (check TV mount for weight capacity guidelines).
<b>Screen sizes</b>	23" to 37" (58cm to 94cm)

**\* Note:** If your TV, regardless of its screen size, weighs less than the weight capacity stated (30kg\*), and the location of the mounting screw holes correspond with those listed, then this adaptor is suitable for your TV.

Screens  
**23-37"**  
58-94cm

Up to  
**400x200mm**  
VESA

Weight  
Capacity  
**30kg\***

**BLACK**

