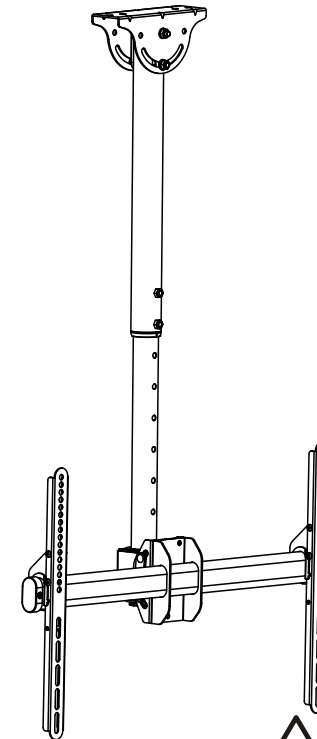







# EZYmount

## Installation Instructions

### Telescopic Ceiling Mount Solution



**CAUTION:** DO NOT EXCEED RATED LISTED WEIGHT. SERIOUS INJURY OR PROPERTY DAMAGE MAY OCCUR!

<b>VCL-400</b>	 200x200/400x200 300x300/400x400	 <b>55"</b> MAX	 <b>50kg</b> RATED
<b>VCL-600</b>	 200x200/300x300 400x200/400x400 600x400	 <b>70"</b> MAX	

#### Maintenance

- Check that the bracket is secure and safe to use at regular intervals (at least every three months).
- Please contact your dealer if you have any questions.

# EZYmount

## CANOHM

3/200 Turner Street  
Port Melbourne Victoria 3207  
Australia

Telephone 03 9644 7888

Facsimile 03 9646 7366

Email [sales@canohm.com.au](mailto:sales@canohm.com.au)  
[www.canohm.com.au](http://www.canohm.com.au)

Please dispose of this packaging in a responsible manner – recycle cardboard/plastic wherever possible.

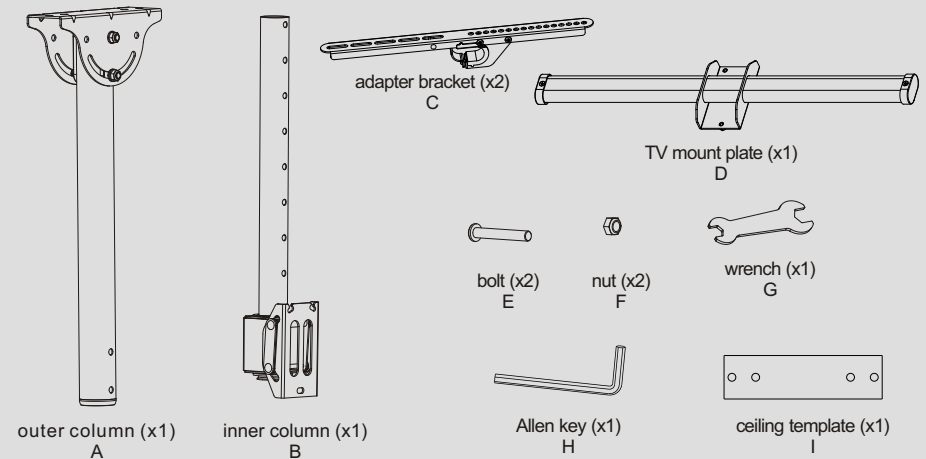
**NOTE:** Please read the entire instruction manual before you start installation and assembly.

## ⚠ WARNING

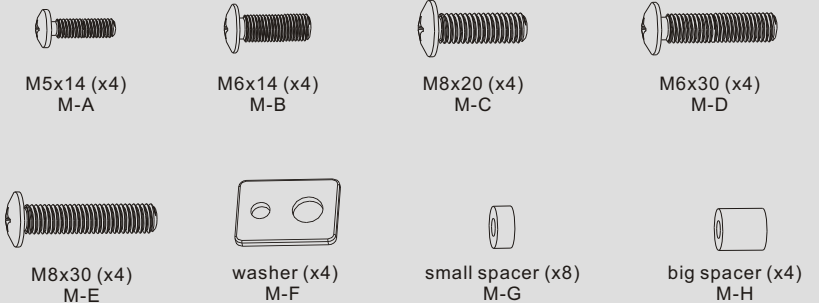
- Do not commence installation until you have read and understood the instructions and warnings contained in this installation sheet. Please ensure you have received all parts according to the component checklist prior to installation. If any parts are missing or faulty and/or you have any questions regarding any of the instructions or warnings, please contact your place of purchase.
- This mounting bracket was designed to be installed and utilised ONLY as specified in this manual. Improper installation or use of this product may cause damage or serious injury.
- This product should only be installed by someone of good mechanical ability, with basic building experience and full understanding of this manual.
- Make sure that the supporting surface ( wood joist ceiling and concrete ceiling ) will safely support the combined load of this bracket and all attached hardware (TV) and components.
- Always use an assistant or mechanical lifting equipment to safely lift and position equipment.
- Tighten screws firmly, but do not over tighten. Over tightening can cause damage, greatly reducing their holding power.
- This product is intended for indoor use only. Using this product outdoors could lead to product failure.

## Component Checklist

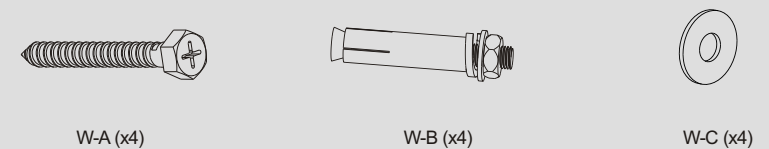
**IMPORTANT:** Ensure that you have received all parts according to the component checklist prior to installation. If any parts are missing or faulty, telephone your local distributor for a replacement.



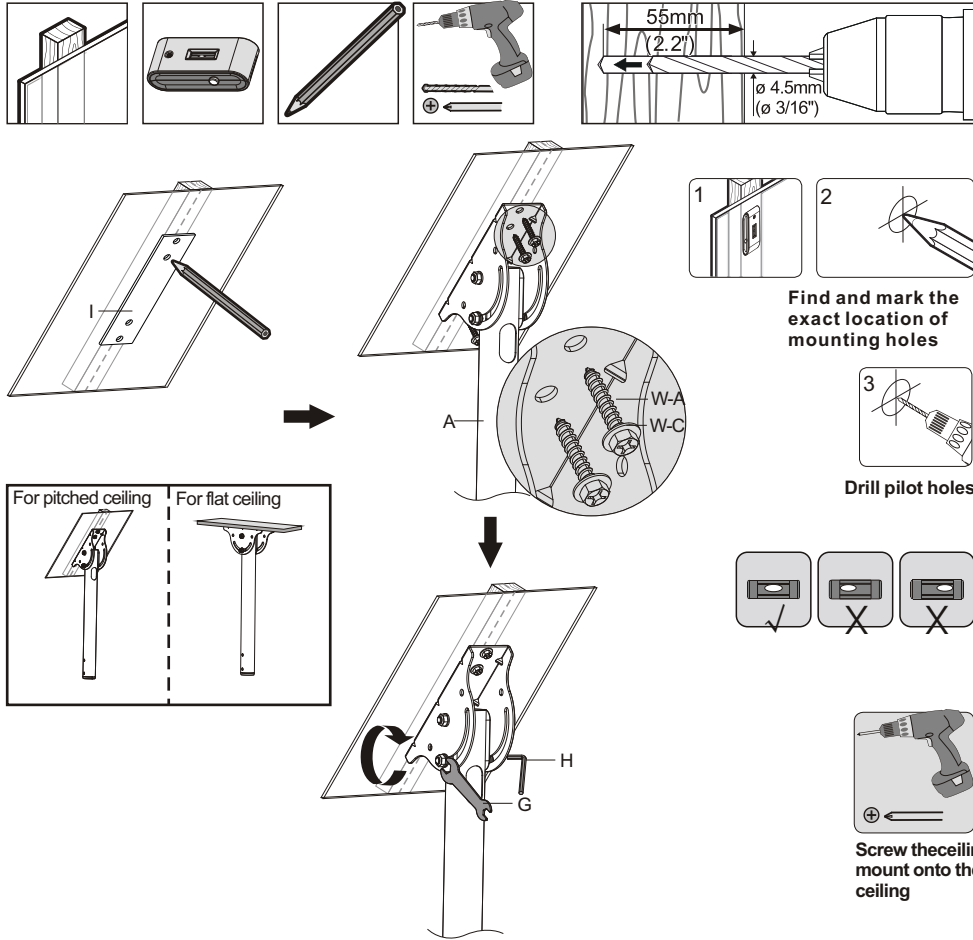
### Package M



### Package W



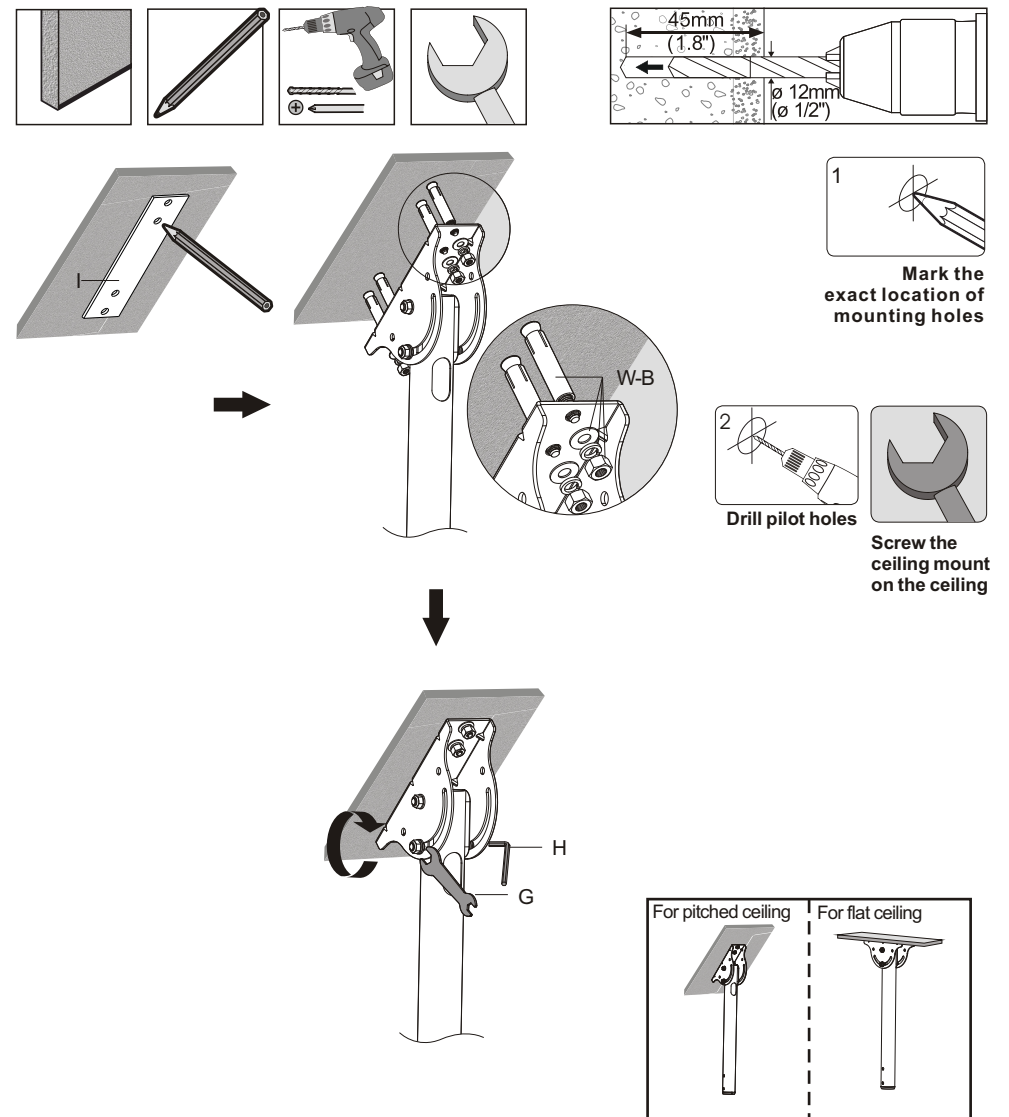
## 1a. For Wooden Joist Ceiling



### ⚠ WARNING

- Make sure that mounting screws are anchored into the centre of the joist. The use of a stud finder is highly recommended.
- Installers are responsible to provide hardware for other types of mounting situations.
- Installers must verify that the supporting surface will safely support the combined weight of the equipment and all attached hardware and components.

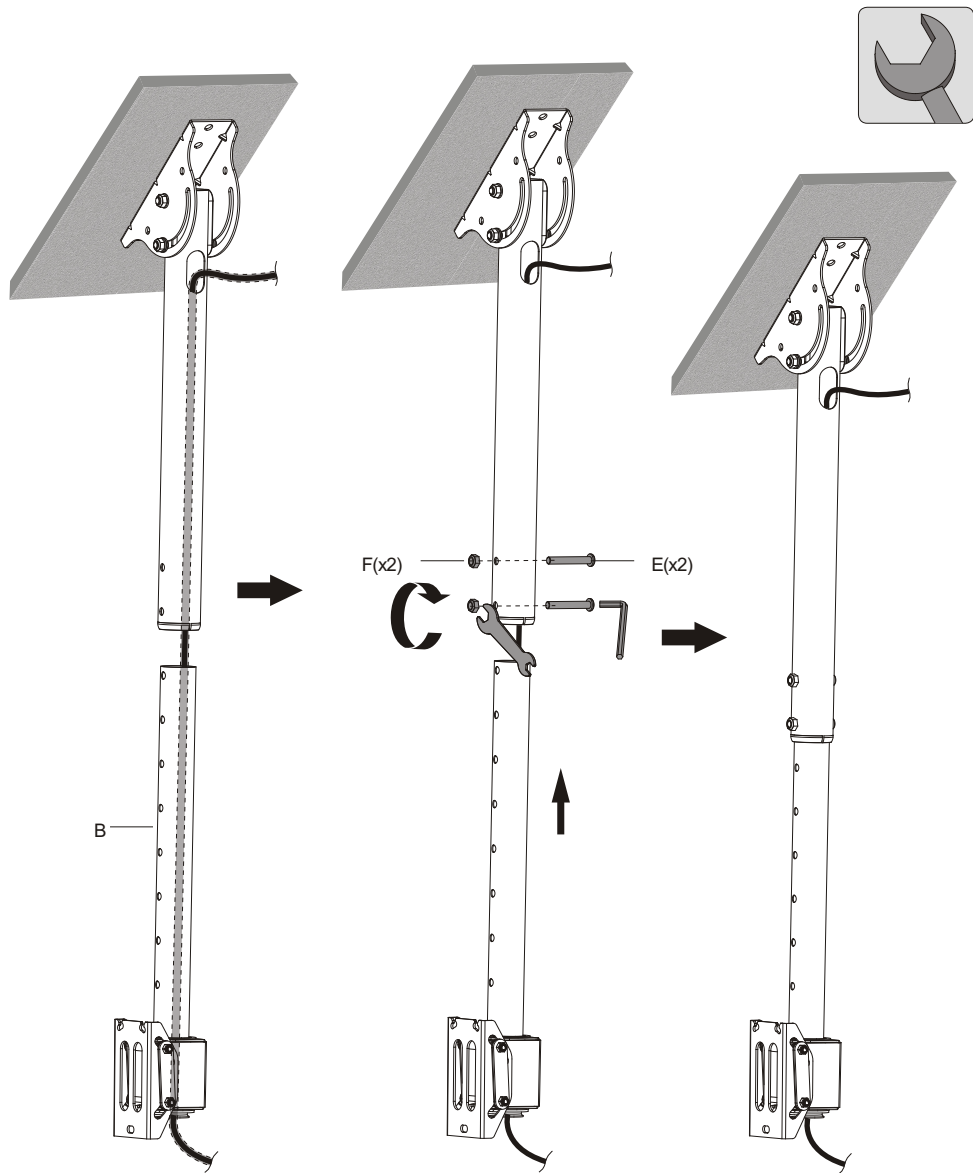
## 1b. For Solid Brick and Concrete Mounting



### ⚠ WARNING

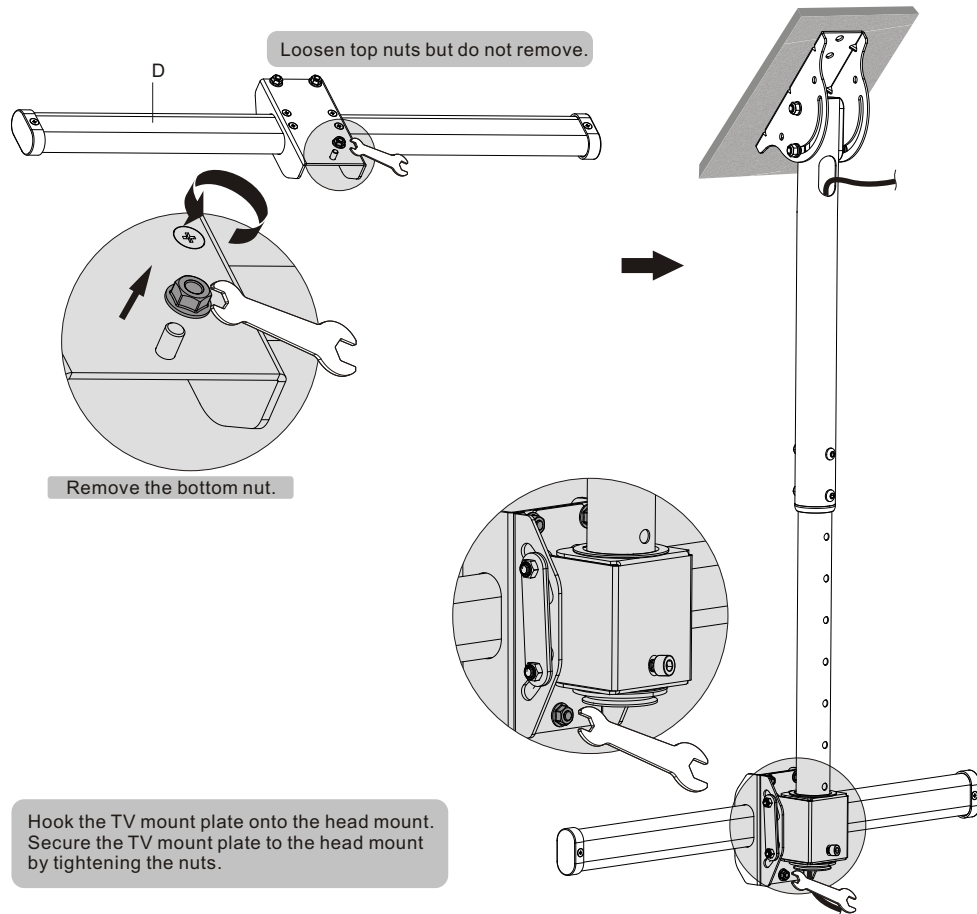
Installers must verify that the supporting surface will safely support the combined weight of the equipment and all attached hardware and components.

## 2. Assembling the Columns and Routing Cables

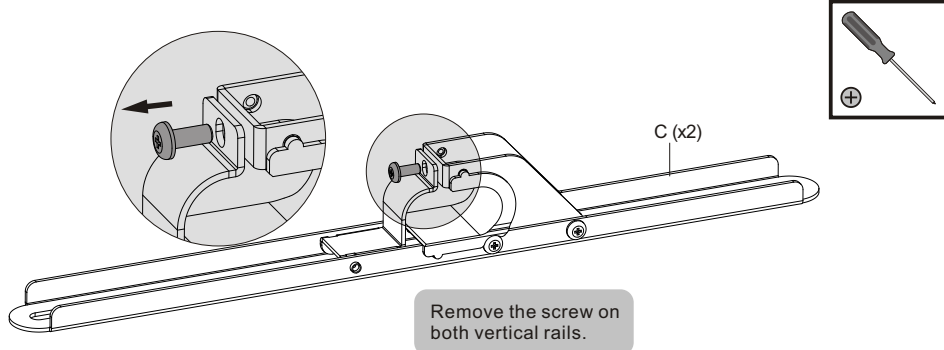


- Run the cables through the columns.
- Insert the inner column into the outer column and fix them at the desired height.
- Using the correct combination of bolts and nuts.

## 3. Installing the TV Mount Plate

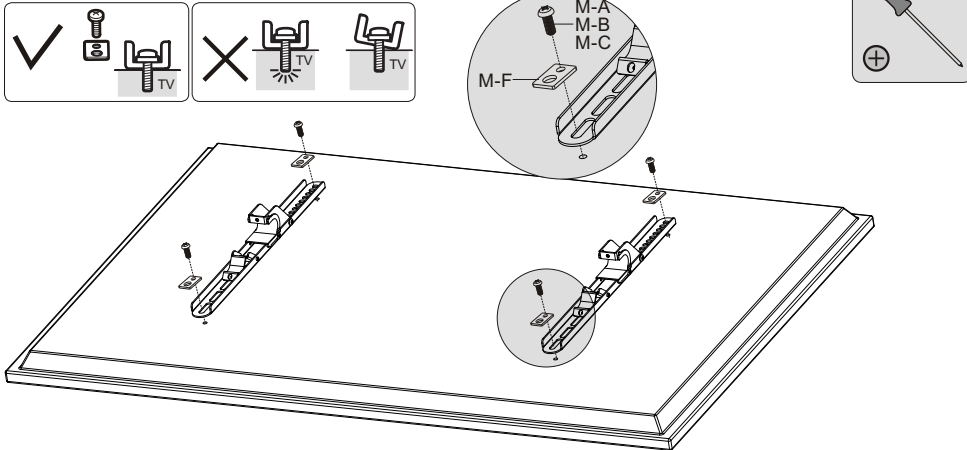


## 4. Installing the Vertical Rails

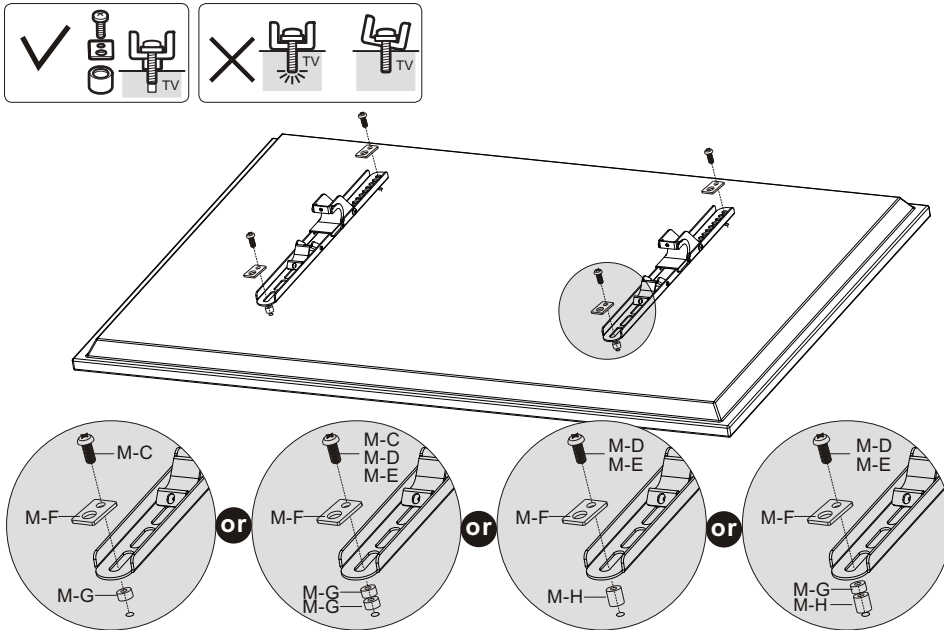


## 4.

### 4-1 For Flat Back Screens



### 4-2 For Recessed Back Screens

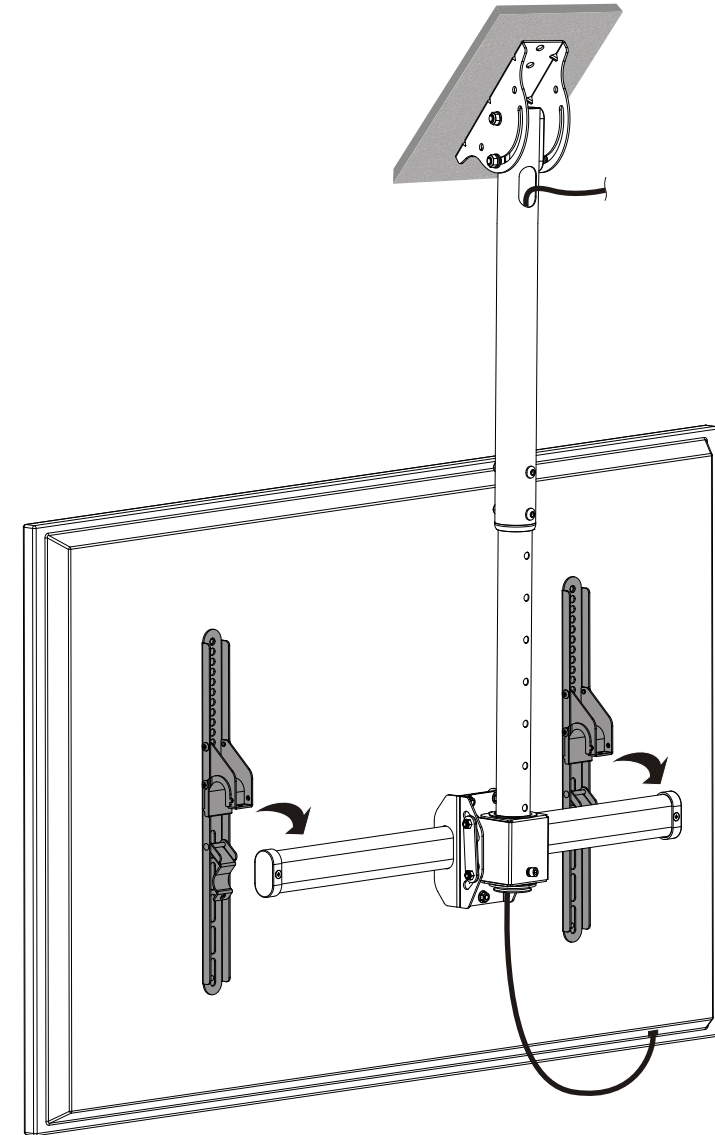


**Note:** Choose the appropriate screws, washers and spacers (if necessary) according to the type of screen.

- Position the adapter brackets as close as possible to the centre of the TV.
- Screw the adapter brackets onto the TV.

 **Tighten all screws but do not over tighten.**

## 5. Installing the TV

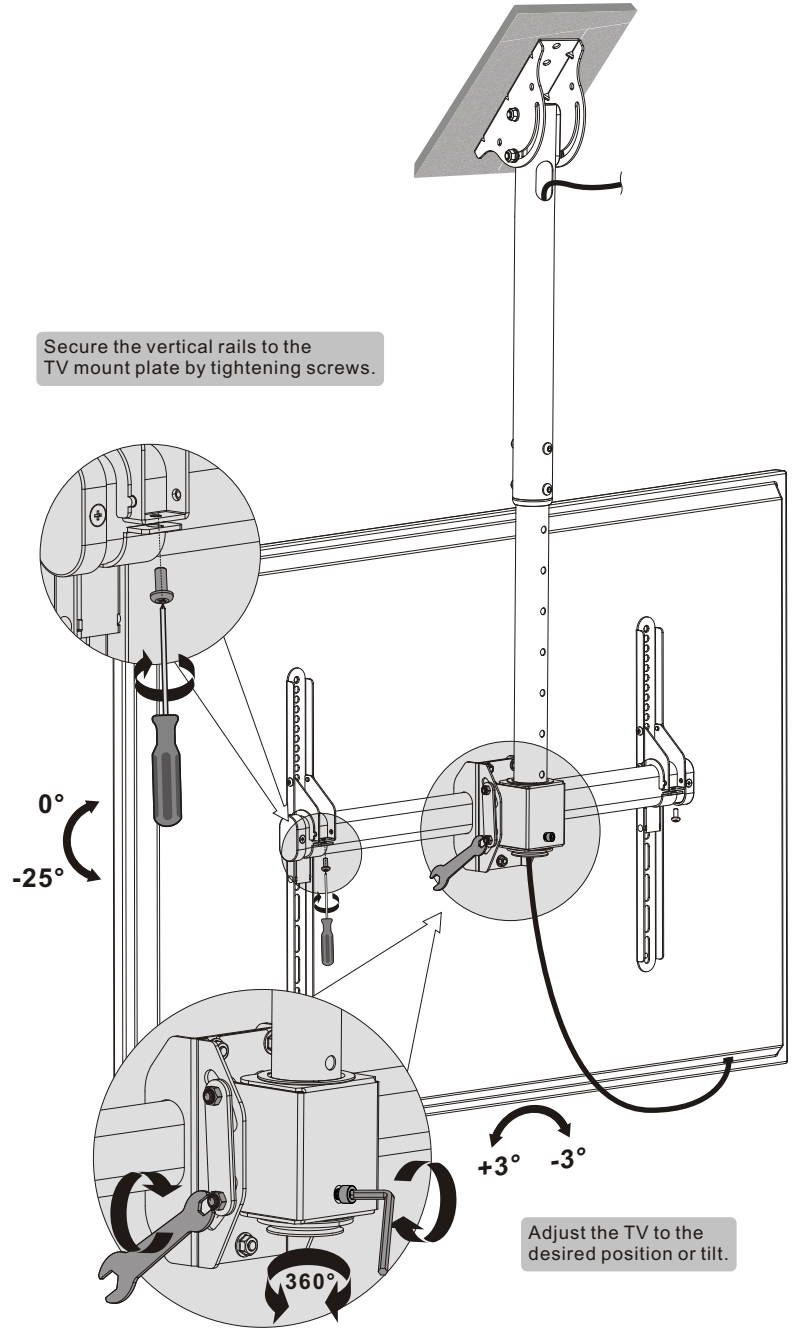


Lift the TV and hook the vertical rails onto the TV mount plate.

## 6. Adjustment



Secure the vertical rails to the TV mount plate by tightening screws.



0°  
-25°

+3° -3°

Adjust the TV to the desired position or tilt.

360°