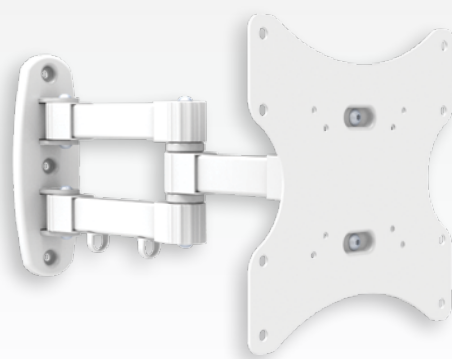




Mount with extension arms (included)  
suits 300 x 300 & 400 x 400mm VESA



Mount without extension arms suits 75 x 75,  
100 x 100, 200 x 100 & 200 x 200mm VESA

Suits most  
TV screens from  
**23" to 55"**

Screens  
**23-55"**  
58-140cm

Up to  
**400x400mm**  
VESA

Weight  
Capacity  
**30kg**

**BLACK**

**WHITE**



## SLT-320

### FULL MOTION TV WALL MOUNT

- Swivels up to 180°
- Tilt range -15° to +15°
- Extends from wall up to 382mm
- Versatile screen fitment
- Three pivot arm

See over page for detailed product information

## SLT-320

### Full Motion TV Wall Mount

#### Features

**Full Motion Adjustment.** Swivels up to 180° and Tilts -15° to +15°. Fully adjustable so you can angle your TV to suit your viewing position. Ideal for mounting your TV in a corner or high on a wall.

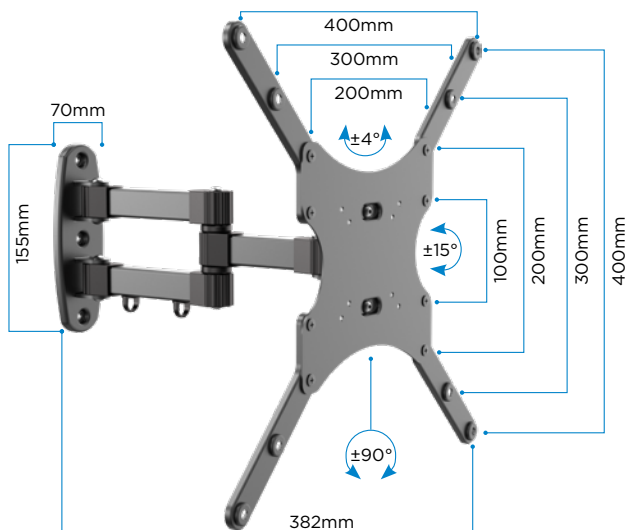
**Removable Screen-Plate.** Allows easier installation as well as the ability to remove and relocate or store your TV with ease i.e. for use in caravans, indoor patios and entertainment areas etc.

**Level Adjustment.** Ensure the perfect installation with your TV always level with the easy 'Single Screw' level adjustment -4° to +4°.

**Easy installation.** Good design and simple instructions combine to make mounting your TV a breeze. All necessary screws and hardware are included.

#### Package includes

Fully assembled articulated TV wall mount, 4 x VESA extension arms, mounting hardware and installation instructions.



#### Specifications

<b>Colour</b>	Black
<b>Weight Capacity</b>	30kg
<b>Screen Sizes</b>	58cm (23") to 140cm (55")
<b>Tilt Range</b>	-15° to +15°*
<b>Horizontal Swivel</b>	180° (90° both left & right)*
<b>Mounting screw hole pattern</b>	<b>VESA:</b> 75 x 75, 100 x 100, 200 x 100, 200 x 200, 300 x 300* and 400 x 400mm* compliant.
<b>Distance of TV from wall</b>	79 to 382mm

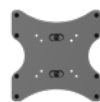
**Note:** If your TV, regardless of its screen size, weighs less than the weight capacity stated here, and the location of its mounting screw holes correspond with any of those listed above, then your TV will fit this mount.

\* Degree of swivel and tilt may be affected by the size of your TV.

\* Using included extension arms.



With included extension arms



Without included extension arms

Screens  
**23-55"**  
58-140cm

Up to  
**400x400mm**  
VESA

Weight  
Capacity  
**30kg**

**BLACK**

**WHITE**

