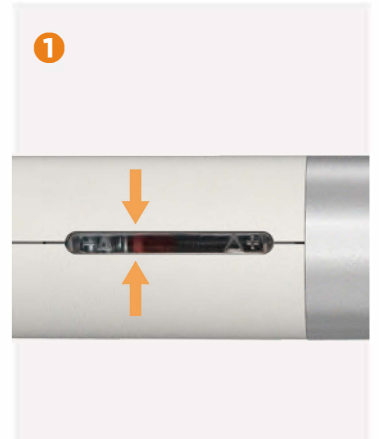


EMA49 Series

Premium Slim Aluminium Spring-Assisted Monitor Arms

Featuring **slim arms and outstanding flexibility**, the EMA49 Series Monitor Arms combine great looks and smooth movement resulting in a better work experience. Ideal for applications requiring frequent display adjustments, including financial analysis, creative work and more.





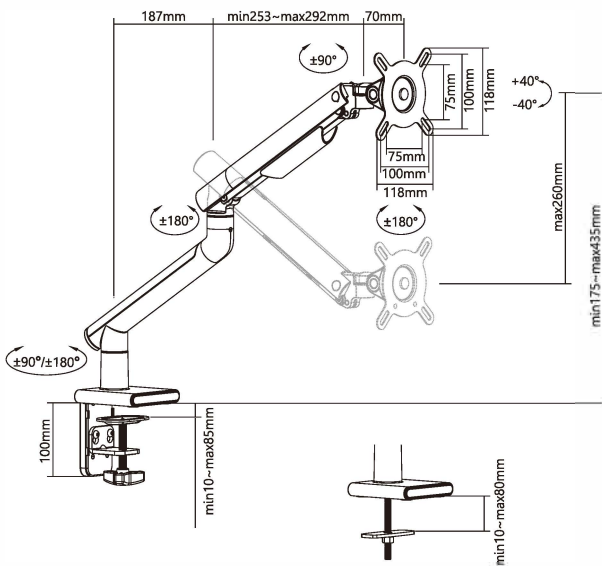
Attention to Details

- 1 Tension Indicator**
designed for spring tension alignment when installing multiple monitors
- 2 Built-in Spring Gauge**
for perfect weight adjustments
- 3 Quick-Release VESA Plate**
allows for effortless installation and removal
- 4 Built-In 180° Rotation Stopper**
for confining the rotation to 180° by tightening the lower screw, which prevents interference with walls or desk partitions



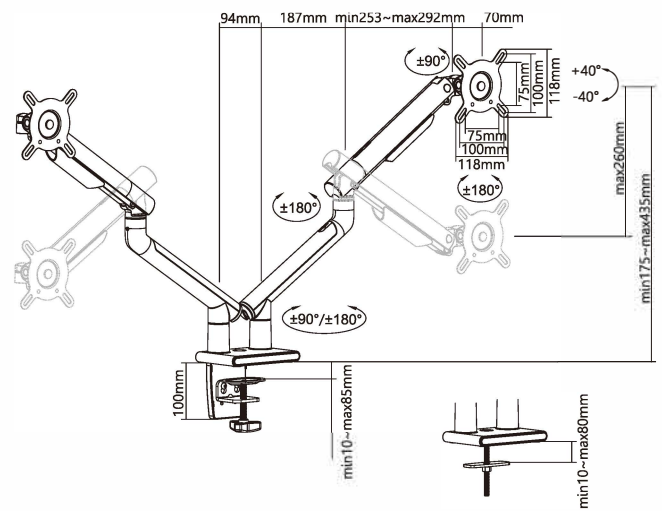
Single Monitor

EMA49-C12



Dual Monitor

EMA49-C24



Colours:

Item No.	EMA49-C12/EMA49-C24
Screen Size	17"-32"
Weight Capacity(per screen)	2-9kg/4.4-19.8lbs
VESA Compatible	75x75, 100x100
Tilt Range	+40°--40°
Swivel Range	+90°--90°
Screen Rotation	+180°--180°
Material	Aluminium, Steel, Plastic