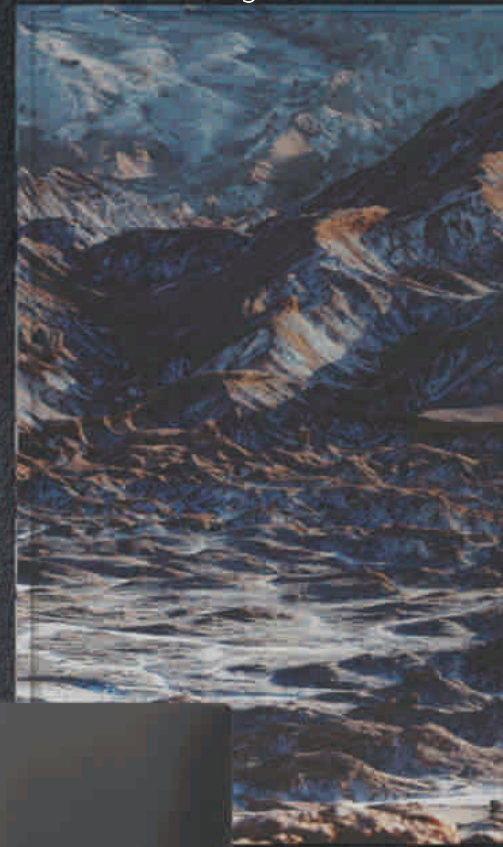
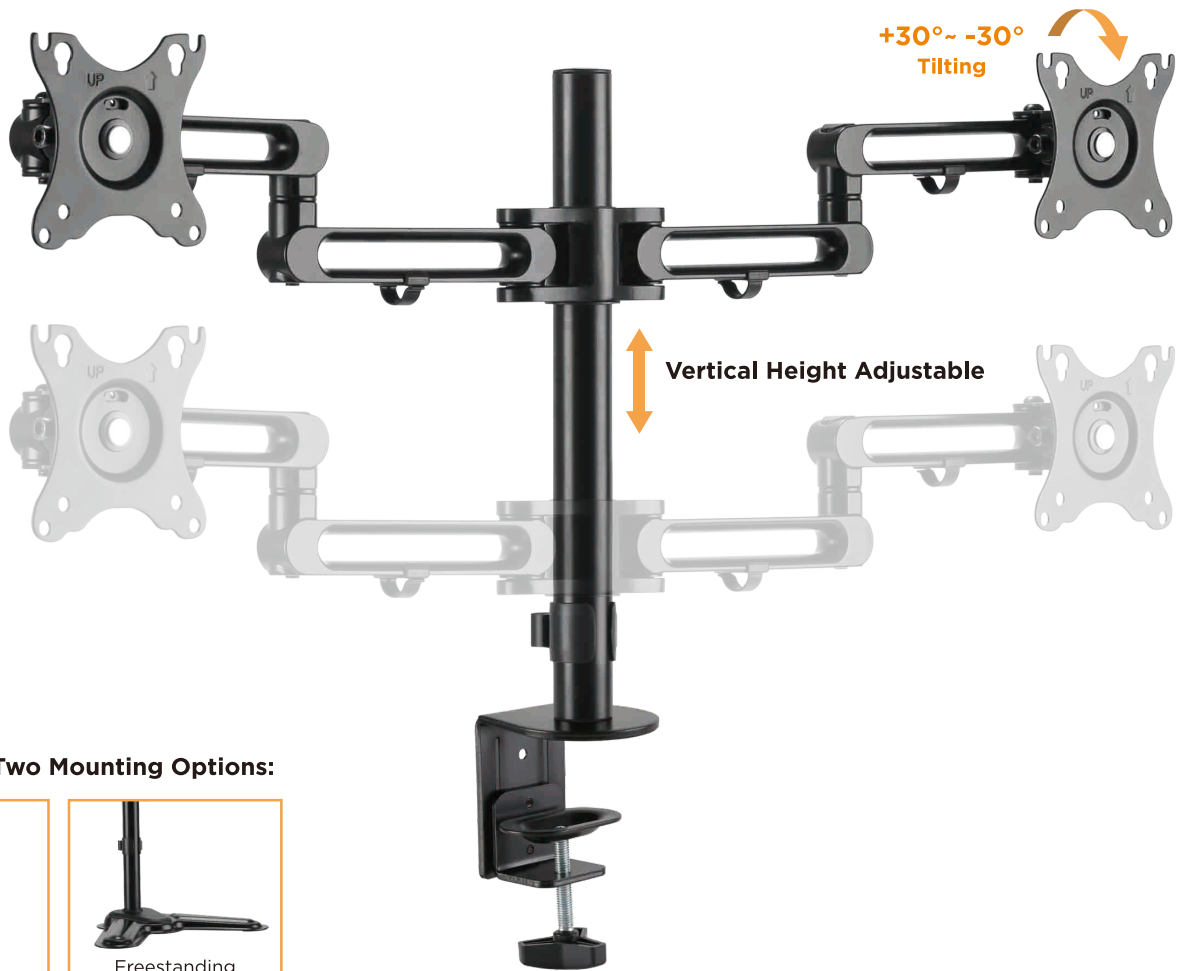


## EMA30 Series

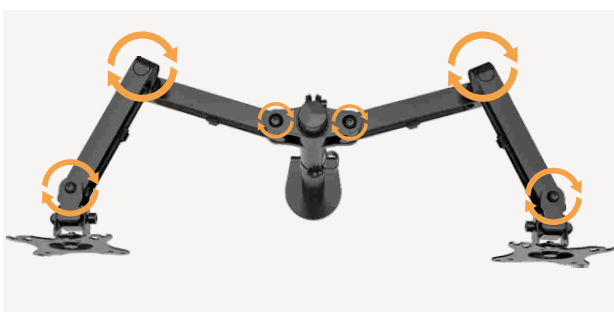
# Premium Articulating Aluminium Monitor Arm

The EMA30 Series combines value and versatility into a single product solution. The aluminium arm creates a stylish and elegant look adding to any home or office décor. The flexible arm joint and rotating/tilting VESA plate allows the user to adjust the height and angle of monitors, offering the absolutely best viewing experience. The EMA30 Series is ideal for virtually any application due to its' ability to easily rotate between portrait and landscape orientation. Maximize your desktop space while providing the best viewing option for your eyes - choose the EMA30 Series today!





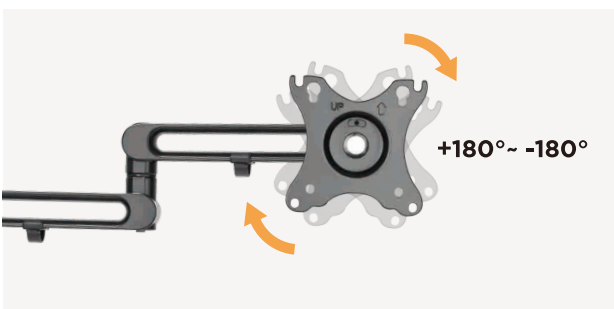
Available in Two Mounting Options:



**Versatile Movement**  
adjust monitors for optimal viewing experience



**Keyhole Pattern VESA Slot**  
for quick attachment and detachment



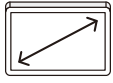
**Portrait or Landscape orientation**  
one solution fits any application



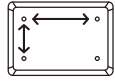
**Cable Management**  
create a neat look

**EMA30-C12**

For Single Monitor/ Full Extension/ Large Swivel



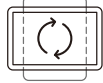
Screen Size  
17"-32"



VESA Compatible  
75x75 100x100



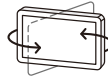
Weight Capacity  
8kg/17.6lbs



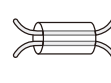
Screen Rotation  
+180°--180°



Tilt Range  
+30° - -30°

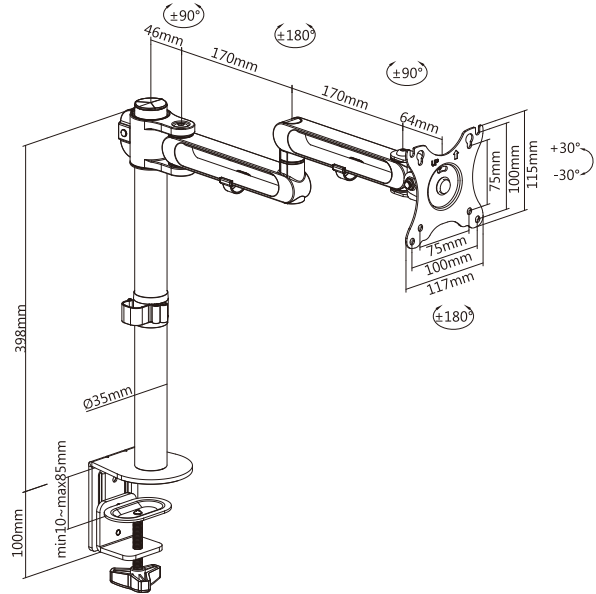


Swivel Range  
+90° - -90°



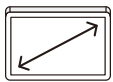
Cable Management

Colour:

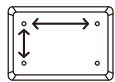


**EMA30-C24**

For Dual Monitors/ Full Extension/ Large Swivel



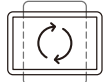
Screen Size  
17"-32"



VESA Compatible  
75x75 100x100



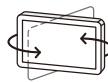
Weight Capacity  
8kg/17.6lbs (x2)



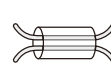
Screen Rotation  
+180°--180°



Tilt Range  
+30° - -30°



Swivel Range  
+90° - -90°



Cable Management

Colour:

