

EMA20 Series

Aluminium Slim
Mechanical Spring
Monitor Arm

Aesthetically designed with functionality and ease



EMA20 Series

Aluminium Slim Mechanical Spring Monitor Arm

1/2/3/ Ease of Installation

No more crawling under desks on your hands and knees! With the new top mounting feature, installations can be made from above the desk, quickly and easily. Installing monitor arms has never been easier or more convenient thereby greatly reduces installation time.



Clamp & Grommet Installation
accommodate more users



1
Installs from Top Side
installs entirely from above the desk surface



2
Smooth Arm Insertion
ensures easy installation



3
Built-In Elbow Spring Gauge
allows perfect weight adjustments at any level

EMA20 Series

Aluminium Slim Mechanical Spring Monitor Arm

EMA20-C12



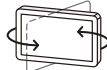
Screen Size
17" - 32"



VESA Compatible
75x75 100x100



Tilt Range
+90° - -90°



Swivel Range
+90° - -90°



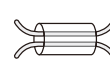
Screen Rotation
+90° - -90°



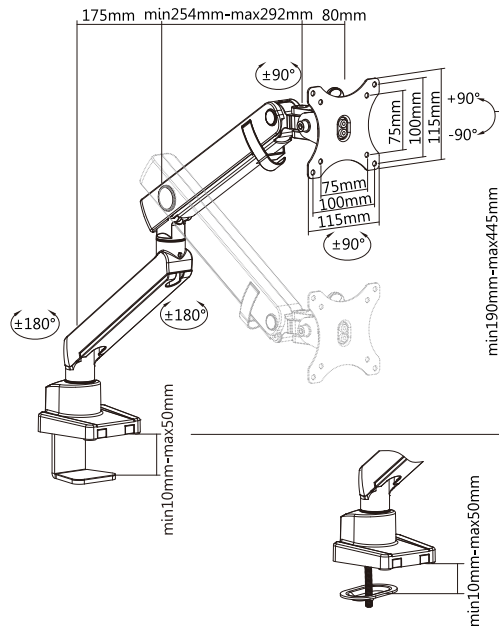
Weight Capacity
0-8kg/0-17.6lbs



Detachable
VESA Plate



Cable
Management



EMA20-C24



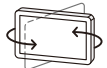
Screen Size
17" - 32"



VESA Compatible
75x75 100x100



Tilt Range
+90° - -90°



Swivel Range
+90° - -90°



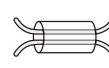
Screen Rotation
+90° - -90°



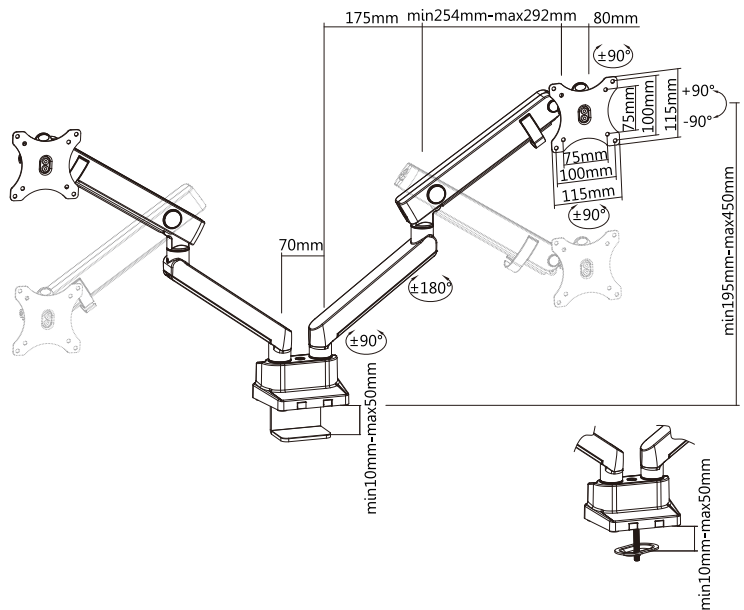
Weight Capacity
0-8kg/0-17.6lbs
(x2)



Detachable
VESA Plate



Cable
Management



EMA20 Series

Aluminium Slim Mechanical Spring Monitor Arm with Laptop Holder

Use Laptop for Instants,
Use Desktop for Works Required
More Computer Power



EMA20 Series

Aluminium Slim Mechanical Spring Monitor Arm with Laptop Holder

Ergovida

www.Ergovida.com.au

EMA20-C24ML



Screen Size
17" - 32"



VESA Compatible
75x75 100x100



Tilt Range
+90° - -90°



Swivel Range
+90° - -90°



Screen Rotation
+90° ~ -90°



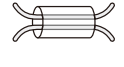
Weight Capacity
0-8kg/0-17.6lbs



Weight Capacity
4.5kg/9.9lbs



Detachable
VESA Plate



Cable
Management

