



WHY Does One Need AN Ergonomic Sit Stand Desk?

The standing desk is quite an interesting product if you give it a second glance. Popular ergonomics experts agree that switching between standing and sitting has positive effects that go beyond the obvious physical comfort. For the largest part of working-class history, standing desks were considered to be a nuisance before detailed research and surveys provided logical reasoning to support the claims.

EED-2 Series

Multi-Motor Sit-Stand Desk Frames

Ergovida

SCENE & FRAME TYPES



Standard Column Design



Reverse Column Design
-Increase the stability

Dual-Motor/2-Leg

Column Option

- | | | | |
|----------|-------------------------------------|---------|-------------------------------------|
| 2-Stage | <input checked="" type="checkbox"/> | 3-Stage | <input checked="" type="checkbox"/> |
| Standard | <input checked="" type="checkbox"/> | Reverse | <input checked="" type="checkbox"/> |

CE FC CB



Standard Column Design



Reverse Column Design
-Increase the stability

Triple-Motor/3-Leg/L Shaped-90°

Column Option

- | | | | |
|----------|-------------------------------------|---------|-------------------------------------|
| 3-Stage | <input checked="" type="checkbox"/> | Reverse | <input checked="" type="checkbox"/> |
| Standard | <input checked="" type="checkbox"/> | | |

CE FC CB

EED-2 Series

Multi-Motor Sit-Stand Desk Frames

Ergovida

SCENE & FRAME TYPES



Standard Column Design



Reverse Column Design
-Increase the stability

Triple-Motor/3-Leg/Corner -120°

Column Option

3-Stage



Standard



Reverse



CE FC CB



Standard Column Design

Quad-Motor/4-Leg/Back-to-Back

Column Option

3-Stage

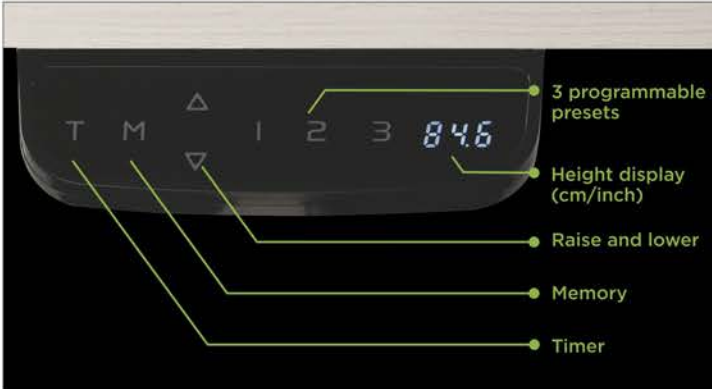


Standard



CE FC CB

FEATURES



Digital LED Controller

- 3 Programmable Memory Presets
- Time Reminder



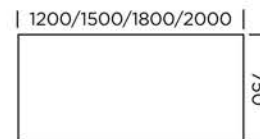
Safety Collision Avoidance System

Safeguards and avoid injuries.



Desktop Options

Create a custom desktop use your imagination!



Contact our product sales team for other options: info@lumi.cn



Frame Finishes

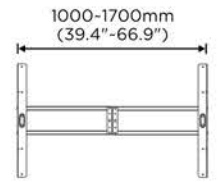
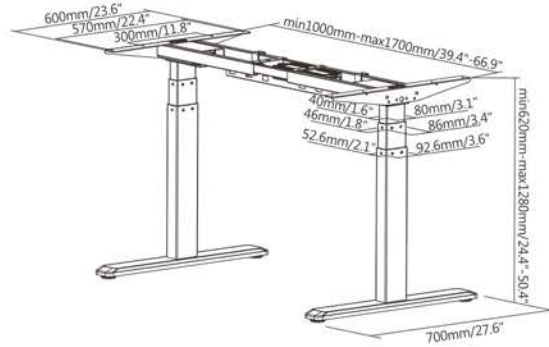
- Snow White
- Industrial Grey
- Black Night

EED-2 Series

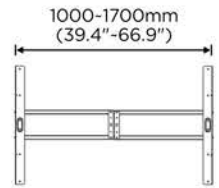
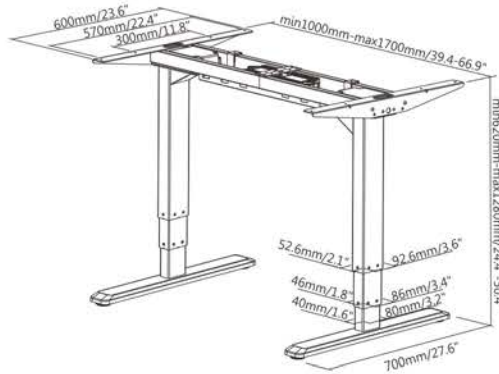
Multi-Motor Sit-Stand Desk Frames

Ergovida

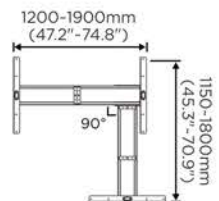
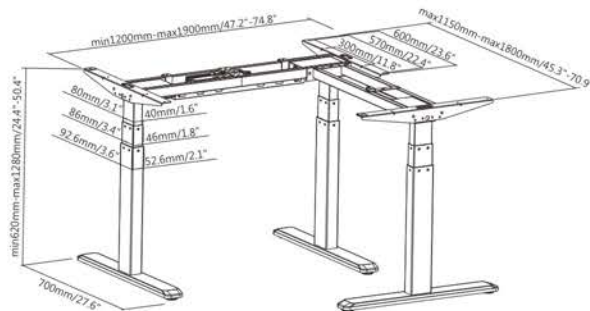
EED-223D



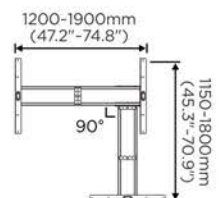
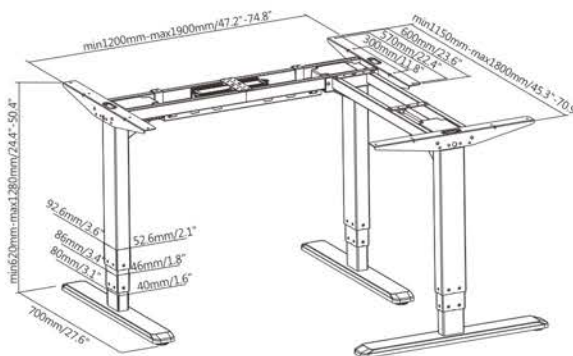
EED-223R



EED-233D



EED-233R

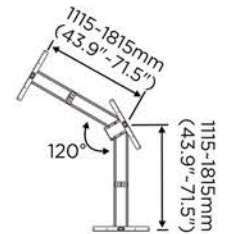
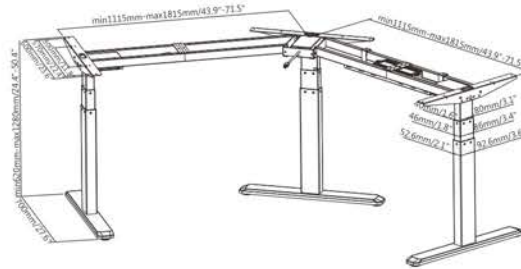


EED-2 Series

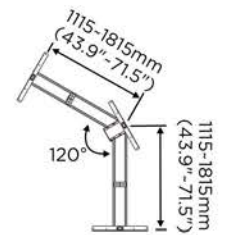
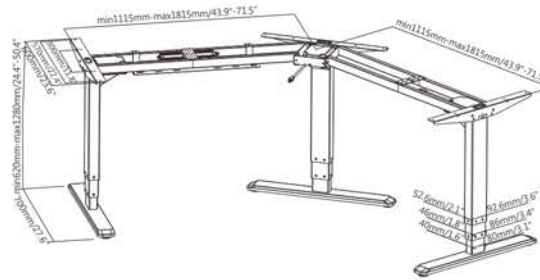
Multi-Motor Sit-Stand Desk Frames



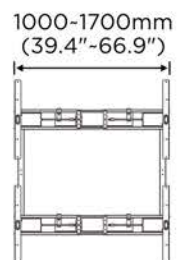
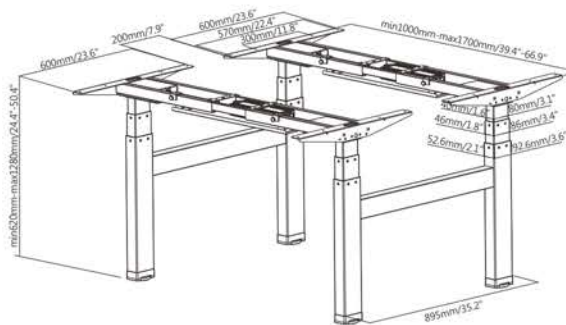
EED-233DC



EED-233RC



EED-243D



Item No.	EED-223D	EED-223R	EED-233D
Height Range	620-1280mm(24.4"-50.4")	620-1280mm(24.4"-50.4")	620-1280mm(24.4"-50.4")
Motor Qty.	2	2	3
Column Design	2-Leg 3-Stage Standard	2-Leg 3-Stage Reverse	3-Leg 3-Stage Standard
Power Input	100V-240V	100V-240V	110V/230V
Load Capacity	100kg/220lbs	100kg/220lbs	150kg/330lbs



Item No.	EED-233R	EED-233DC	EED-233RC	EED-243D
Height Range	620-1280mm(24.4"-50.4")	620-1280mm(24.4"-50.4")	620-1280mm(24.4"-50.4")	620-1280mm(24.4"-50.4")
Motor Qty.	3	3	3	4
Column Design	3-Leg 3-Stage Reverse	3-Leg 3-Stage Standard	3-Leg 3-Stage Reverse	4-Leg 3-Stage Standard
Power Input	110V/230V	110V/230V	110V/230V	100V-240V
Load Capacity	150kg/330lbs	150kg/330lbs	150kg/330lbs	100kg/220lbs