

GAS SPRING SCISSOR LIFT SIT-STAND DESKTOP WORKSTATION

EDT-S28 Series



EDT-S28 Series

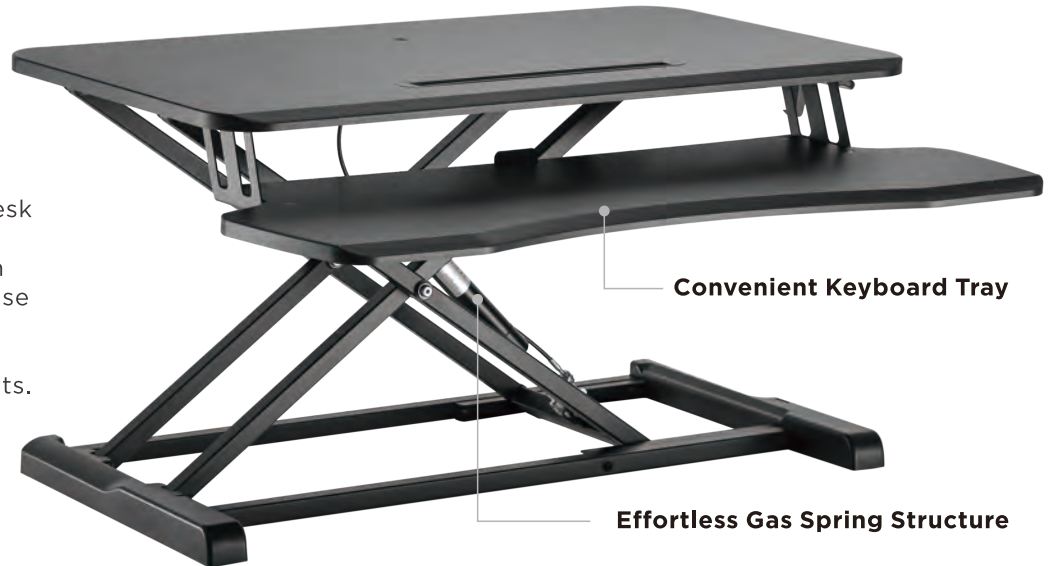
Gas Spring Scissor Lift Sit-Stand Desktop Workstation

Ergovida

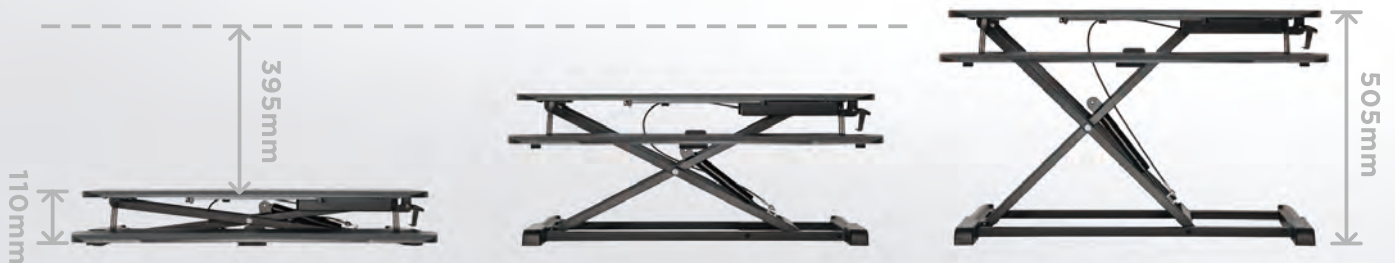
www.Ergovida.com.au

A Sleek design combined with strong holding power

EDT-S28 Series will turn any desk into an active, healthy, height adjustable sit-stand desk. With EDT-S28 Series, you can increase movement, gain energy, and become more productive by adopting new active work habits.



Smooth Gas Spring Height Adjustment accommodates most users



Easy Squeeze Handle adjusts the height in a snap



Extra Storage Slot for phone, tablet and other accessories



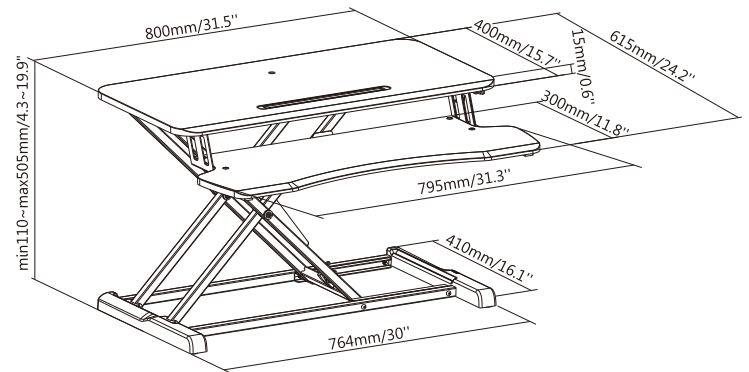
EDT-S28 Series

Gas Spring Scissor Lift Sit-Stand Desktop Workstation

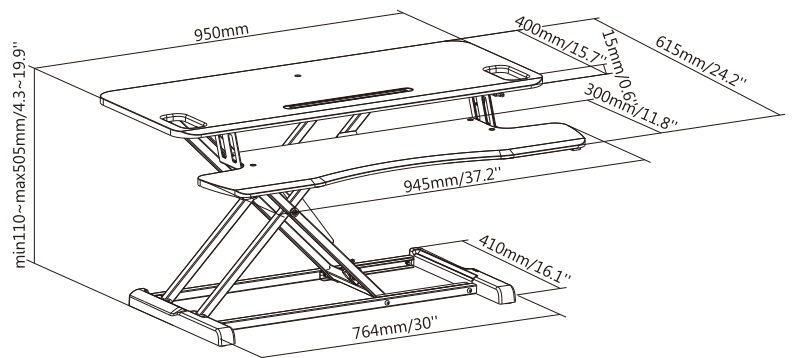
Ergovida

www.Ergovida.com.au

EDT-S28.1N Compact Surface with Deluxe Desktop



EDT-S28.2N Standard Surface with Deluxe Desktop



Item No.	EDT-S28.1N	EDT-S28.2N
Worksurface Material	MDF & PVC	MDF & PVC
Product Dimensions	800x615x110-505mm (31.5"x24.2"x4.3"-19.9")	950x615x110-505mm (37.4"x24.2"x4.3"-19.9")
Worksurface Size	800x400mm (31.5"x15.7")	950x400mm (37.4"x15.7")
Tabletop Thickness	15mm (0.6")	15mm (0.6")
Height Range	110-505mm (4.3"-19.9")	110-505mm (4.3"-19.9")
Worksurface Weight Capacity	15kg/33lbs	15kg/33lbs
Keyboard Weight Capacity	2kg/4.4lbs	2kg/4.4lbs