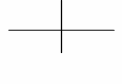




## RETAIL CATALOGUE 2024

Wall mounts and stands for  
TV's, speakers and projectors



## About Vogel's

For 50 years, Vogel's has been developing innovative, reliable and user-friendly mounting solutions for both the consumer and professional markets. Solutions that excel in design, safety and ease of installation. So you never choose just any mounting solution. You choose the certainty of the best solution.

**Vogel's. For Sure.**

# CONTENTS

About Vogel's.....	3
Vogel's. For Tomorrow.....	6
Quality guaranteed.....	7
<b>SIGNATURE Series.....</b>	<b>8</b>
Motorised & Full-Motion TV Wall Mounts.....	9
<b>ELITE Series.....</b>	<b>10</b>
Forward / Full-Motion+ OLED TV Wall Mounts.....	11
Full-Motion+ OLED TV Wall Mounts.....	12
Fixed OLED TV Wall Mounts.....	13
<b>COMFORT Series.....</b>	<b>14</b>
Full-Motion+ XL & Fixed OLED TV Wall Mounts.....	15
Full Motion+ OLED TV Wall Mounts.....	16
Full-Motion+ TV Wall Mounts.....	17
Full-Motion TV Wall Mounts.....	18
Tilt TV Wall Mounts.....	19
Fixed TV Wall Mounts.....	20
<b>TV Wall Mount Accessories.....</b>	<b>22</b>
Cable and AV Solutions.....	23
Stud wall solution.....	26
Sound bar mounts.....	27
<b>TV Floor Stands for your home.....</b>	<b>28</b>
TV Floor Stands.....	29
<b>SOUND Solutions.....</b>	<b>32</b>
Wall mounts & Stands for Sonos.....	33
Universal speaker wall mounts & stands.....	34
Wall Mounts & Stands for Sonos ERA.....	36
<b>Projector Solutions.....</b>	<b>38</b>
Projector Ceiling and Wall Mounts.....	39
<b>Tablet Solutions.....</b>	<b>40</b>
Index.....	43





“ Corporate social responsibility is not an optional task. We owe it to our future generations.

Gerdi Vogels, CEO ”



## Vogel's. For Tomorrow.

As a market leader and innovator, we like to lead the way with high-quality products. We are always looking for the ultimate solution.

**Corporate Social Responsibility** is part of this. Respect for people and the environment is an important value to us. And we act accordingly.

### **People**

Investing in people is investing in the future. This includes being a good employer and doing business fairly. Important themes that have already brought us a lot.

### **Planet**

As a market leader, we want the production and consumption of our products to be as responsible as possible. This includes reducing our carbon footprint, which is an ongoing process.

### **Profit**

As a part of society, we like to do our bit. Vogel's feels involved and likes to make a positive contribution to the local economy and community.

### **Sustainable packaging**

For our latest product lines we developed fully recyclable packaging. We use 95% less single-use plastics and all EPS (Styrofoam) has been replaced by paper pulp.

### **Raw materials and production process**

We apply strict environmental guidelines to our production process. We also look carefully at the origin of our raw materials. In order to leave these raw materials undamaged as much as possible, we strive for high quality products with a long lifespan.



## Quality guaranteed

### **TÜV NORD**

The TÜV NORD label is an additional confirmation that Vogel's products are safe. All Vogel's products for the consumer market and the professional market are tested thoroughly, so they meet the strict requirements of this certification agency. TÜV NORD is an independent certification authority for products and manufacturing processes. They carry out independent quality and safety tests and are recognized globally as the label of excellent quality.

Almost all Vogel's products carry the TÜV NORD label. Vogel's has this voluntary certification carried out as additional proof that its products are safe. Part of this process is an accelerated sustainability test.

All certified products for domestic use are tested to carry at least three times the indicated weight without collapsing (deformation is possible).

### **Fischer® mounting materials**

Professionals around the world trust the innovative products, materials and services by fischer® for mounting solutions. We have chosen the fischer wall plugs because of their great expertise and proven solidity. This is reflected in the high quality of their products and possibilities for different wall types.



## SIGNATURE Series

### High-end design TV wall mounts for large TVs

Choose motorised or manual movement to operate this unique TV wall mount. With our eye for detail, we use high-quality finishes and ensure that cables are out of sight. This wall mount fits seamlessly into any interior

The innovative, minimalistic design perfectly complements large ultra-thin TVs from 40 to 77 with a maximum weight of 35 kg. SIGNATURE TV wall mounts can be turned up to 120° for optimal viewing comfort.

### Key features:

- Smooth turning mechanism, can be operated manually or motorised
- Our most innovative design yet - stylish in any interior
- Fully Integrated Cable Inlay System (CIS®) - Connect, protect and hide your cables, from wall to TV
- Mounting using the free DrillRight™ AR app
- Complete your mounting system with a matching aluminum cable column



# Motorised & Full-Motion TV wall mounts

## SIGNATURE SERIES

### TVM 7675 PRO

MotionMount - Motorised TV Wall Mount



### TVM 7675

MotionMount - Motorised TV Wall Mount



### TVM 7655

DesignMount - Full-Motion+ TV Wall Mount



#### Specifications

Min. / Max. TV screen size (inch)	40 / 77	40 / 77	40 / 77
Max. weight load (kg)	35	35	35
Max. VESA hole pattern (mm)	600 x 400	600 x 400	600 x 400
Number of pivot points	4	4	4
Turn	Forward and turning motion (up to 120°)	Forward and turning motion (up to 120°)	Forward and turning motion (up to 120°)
Min. / Max. distance to the wall (mm)	77 / 715	77 / 715	77 / 715
Motorised	•	•	•
Cable management	<ul style="list-style-type: none"> <li>• Integrated cable management</li> <li>• CIS® Cable Inlay System</li> <li>• Cable sleeve</li> </ul>	<ul style="list-style-type: none"> <li>• Integrated cable management</li> <li>• CIS® Cable Inlay System</li> <li>• Cable sleeve</li> </ul>	<ul style="list-style-type: none"> <li>• Integrated cable management</li> <li>• CIS® Cable Inlay System</li> <li>• Cable sleeve</li> </ul>

#### Specifications motorised

Voltage	100-240V, 50/60 Hz	100-240V, 50/60 Hz	- / -
Remote / App controlled	• / •	• / •	- / -

#### Guarantee

TÜV certified			
Guarantee	15 years	15 years	15 years
Guarantee on Electrical Parts	2 years	2 years	2 years
Certifications	CB, CE, TÜV	CE, TÜV	TÜV

#### General

Colour	Black	Black   White	Black   White
Article number	8876750P	8876750   8876751	8876550   8876551
EAN single box	8712285354984	8712285350603   8712285361067	8712285350580   8712285361043

#### What's in the box

- |  |  |  |
|--|--|--|
| <ul style="list-style-type: none"> <li>• Wall mount</li> <li>• Interface</li> <li>• Wall mounting kit with fischer® Duo Power plugs</li> <li>• TV fasteners kit</li> <li>• Quick Installation Guide</li> <li>• DrillRight™ AR app</li> <li>• Drilling template</li> <li>• Allen key</li> <li>• Cable sleeve</li> <li>• Infrared remote control</li> <li>• AC power adapter</li> <li>• HDMI cable - 2M</li> </ul> | <ul style="list-style-type: none"> <li>• Wall mount</li> <li>• Interface</li> <li>• Wall mounting kit with fischer® Duo Power plugs</li> <li>• TV fasteners kit</li> <li>• Quick Installation Guide</li> <li>• DrillRight™ AR app</li> <li>• Drilling template</li> <li>• Allen key</li> <li>• Cable sleeve</li> <li>• Infrared remote control</li> <li>• AC power adapter</li> <li>• HDMI cable - 2M</li> </ul> | <ul style="list-style-type: none"> <li>• Wall mount</li> <li>• Interface</li> <li>• Wall mounting kit with fischer® Duo Power plugs</li> <li>• TV fasteners kit</li> <li>• Quick Installation Guide</li> <li>• DrillRight™ AR app</li> <li>• Drilling template</li> <li>• Allen key</li> <li>• Cable sleeve</li> </ul> |
|--|--|--|





## ELITE Series

### **Every large OLED TV, mounted with elegance**

ELITE TV wall mounts combine elegant design with unprecedented strength. The ultimate solution for large premium TVs, such as OLED and QLED TVs. The ultra slim design blends seamlessly with the minimalistic look of these TVs. At the same time, the TV mounts have a huge weight-bearing capacity.

ELITE TV wall mounts are suitable for TVs from 32 to 100 inches in size, weighing up to 100 kg - ideal for your valuable OLED or QLED screen.

### **Key features:**

- Ultra slim and strong
- Ideal for OLED/QLED TVs
- Hide and guide your unsightly cables
- Mounting made easy with our free DrillRight™ AR App
- Drilling template, bolts, plugs and spirit level included
- 15 years guarantee

OLED / QLED  
FULL-MOTION+

## TVM 5855

Full-Motion TV Wall Mount



## TVM 5845

Full-Motion+ TV Wall Mount



### Specifications

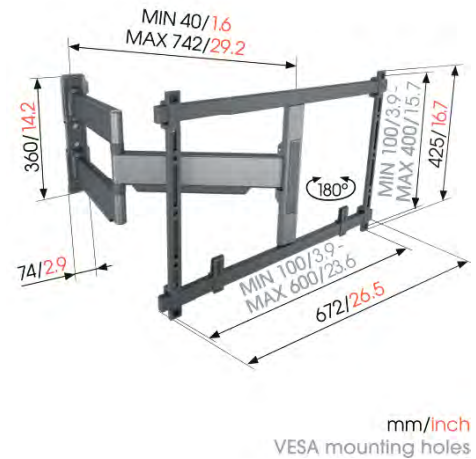
Min. / Max. TV screen size (inch)	55 / 100	55 / 100
Max. weight load (kg)	75	55
Max. VESA hole pattern (mm)	600 x 400	600 x 400
Number of pivot points	4	3
Turn	Forward and turning motion (up to 120°)	Full motion (up to 180°)
Min. / Max. distance to the wall (mm)	45 / 697	40 / 740
Cable management	<ul style="list-style-type: none"> <li>• Cable fingers for cable management on the back of your TV</li> <li>• CIS® Cable Inlay System</li> </ul>	<ul style="list-style-type: none"> <li>• Cable fingers for cable management on the back of your TV</li> <li>• CIS® Cable Inlay System</li> </ul>
Spirit level included	•	•

### Guarantee

TÜV certified		
Guarantee	15 years	15 years

### General

Colour	Black	Black
Article number	5858550	5858450
EAN single box	8712285354809	8712285354786
What's in the box	<ul style="list-style-type: none"> <li>• Wall mount</li> <li>• Wall mounting kit with fischer® Duo Power plugs</li> <li>• TV fasteners kit</li> <li>• Spirit level</li> <li>• Quick Installation Guide</li> <li>• DrillRight™ AR app</li> <li>• Drilling template</li> </ul>	<ul style="list-style-type: none"> <li>• Wall mount</li> <li>• Wall mounting kit with fischer® Duo Power plugs</li> <li>• TV fasteners kit</li> <li>• Spirit level</li> <li>• Quick Installation Guide</li> <li>• DrillRight™ AR app</li> <li>• Drilling template</li> </ul>
Number in outer box (#)	1	2



# Full-motion+ OLED TV Wall Mounts

OLED / QLED  
FULL-MOTION+

## TVM 5645

Full-Motion+ TV Wall Mount





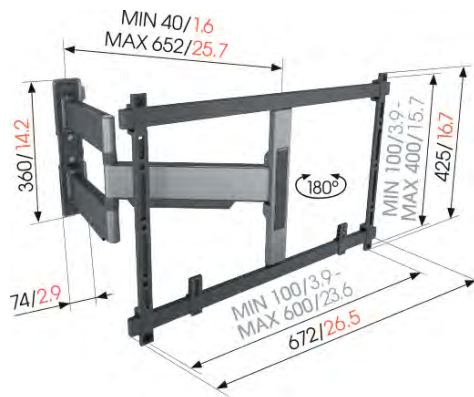
## TVM 5445

Full-Motion+ TV Wall Mount

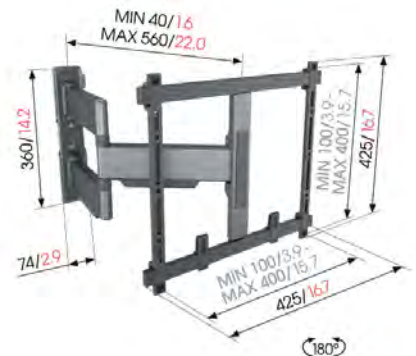


### Specifications

Min. / Max. TV screen size (inch)	40 / 77	32 / 65
Max. weight load (kg)	45	35
Max. VESA hole pattern (mm)	600 x 400	400 x 400
Number of pivot points	3	3
Turn	Full motion (up to 180°)	Full motion (up to 180°)
Min. / Max. distance to the wall (mm)	40 / 652	40 / 562
Cable management	<ul style="list-style-type: none"> <li>• Cable fingers for cable management on the back of your TV</li> <li>• CIS® Cable Inlay System</li> </ul>	<ul style="list-style-type: none"> <li>• Cable fingers for cable management on the back of your TV</li> <li>• CIS® Cable Inlay System</li> </ul>
Spirit level included	•	•
<b>Guarantee</b>		
TÜV certified		
Guarantee	15 years	15 years
<b>General</b>		
Colour	Black   White	Black   White
Article number	5856450 (Black) 5856451 (White)	5854450 (Black) 5854451 (White)
EAN single box	8712285348006 (Black) 8712285355042 (White)	8712285347948 (Black) 8712285355028 (White)
What's in the box	<ul style="list-style-type: none"> <li>• Wall mount</li> <li>• Wall mounting kit with fischer® Duo Power plugs</li> <li>• TV fasteners kit</li> <li>• Spirit level</li> <li>• Quick Installation Guide</li> <li>• DrillRight™ AR app</li> <li>• Drilling template</li> </ul>	<ul style="list-style-type: none"> <li>• Wall mount</li> <li>• Wall mounting kit with fischer® Duo Power plugs</li> <li>• TV fasteners kit</li> <li>• Spirit level</li> <li>• Quick Installation Guide</li> <li>• DrillRight™ AR app</li> <li>• Drilling template</li> </ul>
Number in outer box (#)	2	3



mm/inch  
VESA mounting holes



mm/inch  
VESA mounting holes

OLED / QLED  
FIXED

## TVM 5605

Fixed TV Wall Mount



## TVM 5405

Fixed TV Wall Mount



### Specifications

Min. / Max. TV screen sizes (inch)	40 / 100	32 / 77
Max. weight load (kg)	100	75
Max. VESA hole pattern (mm)	600 x 400	400 x 400
Min. distance to the wall (mm)	15	15
Spirit level included	•	•

### Guarantee

TÜV certified		
Guarantee	15 years	15 years

### General

Colour	Black	Black
Article number	5856050	5854050
EAN single box	8712285347962	8712285353086

What's in the box

- Wall mount
- Wall mounting kit with fischer® Duo Power plugs
- TV fasteners kit
- Spirit level
- Quick Installation Guide
- DrillRight™ AR app
- Drilling template

- Wall mount
- Wall mounting kit with fischer® Duo Power plugs
- TV fasteners kit
- Spirit level
- Quick Installation Guide
- DrillRight™ AR app
- Drilling template

Number in outer box (#)	6	6
-------------------------	---	---



mm/inch  
VESA mounting holes



mm/inch  
VESA mounting holes



## COMFORT Series

### **Every TV stylishly and secure on the wall, just how your customer wants it**

The COMFORT Series is designed for families with children in mind. A consumer group that uses the TV intensively. That is why COMFORT wall mounts have a stylish design that puts safety first.

COMFORT wall mounts are suitable for TVs from 19 to 100 inches and weighing up to 75 kg.

### **Key features:**

- For everyday use: Designed with family in mind
- Built to last : Stays strong after years of use
- Mounting made easy with our free DrillRight™ Augmented Reality app
- Drilling template, bolts, plugs and spirit level included
- 10 years guarantee

FULL-MOTION+ XL  
FIXED

**TVM 3845**

Full-Motion+ TV Wall Mount



**TVM 3405 SP**

Fixed OLED TV Wall Mount



**Specifications**

Min. / Max. TV screen size (inch)	55 / 100	32 / 77
Max. weight load (kg)	55	50
Max. VESA hole pattern (mm)	600 x 400	400 x 200
Number of pivot points	3	
Turn	Full motion (up to 180°)	
Tilt	Tilt up to 10°	
Min. / Max. distance to the wall (mm)	60 / 669	22 / -
Cable management	Cable clips	
Spirit level included	•	•

**Guarantee**

TÜV certified		
Guarantee	10 years	10 years

**General**

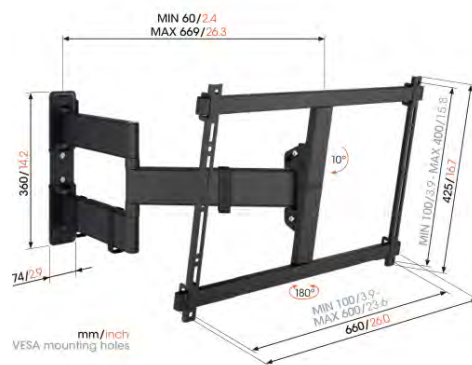
Colour	Black	Black
Article number	3838450 (Black)	3834050SP
EAN single box	8712285363368 (Black)	8712285360749

What's in the box

- Wall mount
- Cable clips
- Wall mounting kit with fischer® Duo Power plugs
- TV fasteners kit
- Protective TV patches
- Spirit level
- Quick Installation Guide
- DrillRight™ AR app
- Drilling template

- Wall mount
- Wall mounting kit with fischer® Duo Power plugs
- TV fasteners kit
- Protective TV patches
- Spirit level
- Quick Installation Guide
- DrillRight™ AR app
- Drilling template

Number in outer box (#)	2	4
-------------------------	---	---



mm/inch  
VESA mounting holes



mm/inch  
VESA mounting holes

# TV Wall Mounts ideal for OLED

## OLED/QLED FULL-MOTION+

### TVM 3665

Full-Motion+ TV Wall Mount



### TVM 3465

Full-Motion+ TV Wall Mount



#### Specifications

Min. / Max. TV screen size (inch)	40 / 77	32 / 65
Max. weight load (kg)	35	25
Max. VESA hole pattern (mm)	600 x 400	400 x 400
Number of pivot points	3	3
Turn	Full motion (up to 180°)	Full motion (up to 180°)
Tilt	Tilt up to 20°	Tilt up to 20°
Min. / Max. distance to the wall (mm)	59 / 670	59 / 580
Cable management	Cable clips	Cable clips
Spirit level included	•	•

#### Guarantee

TÜV certified		
Guarantee	10 years	10 years

#### General

Colour	Black	Black
Article number	3836650 (Black)	3834650 (Black)
EAN single box	8712285351860 (Black)	8712285351846 (Black)

#### What's in the box

- Wall mount
- Cable clips
- Wall mounting kit with fischer® Duo Power plugs
- TV fasteners kit
- Protective TV patches
- Spirit level
- Quick Installation Guide
- DrillRight™ AR app
- Drilling template

- Wall mount
- Cable clips
- Wall mounting kit with fischer® Duo Power plugs
- TV fasteners kit
- Protective TV patches
- Spirit level
- Quick Installation Guide
- DrillRight™ AR app
- Drilling template

Number in outer box (#)	3	3
-------------------------	---	---



mm/inch  
VESA mounting holes



mm/inch  
VESA mounting holes







## TVM 3615

Tilt TV Wall Mount

## TVM 3415

Tilt TV Wall Mount

## TVM 3215

Tilt TV Wall Mount

TILT



### Specifications

Min. / Max. TV screen size (inch)	40 / 77	32 / 65	19 / 43
Max. weight load (kg)	35	25	15
Max. VESA hole pattern (mm)	600 x 400	400 x 400	200 x 200
Tilt	Tilt up to 20°	Tilt up to 20°	Tilt up to 20°
Min. distance to the wall (mm)	34	34	34
Spirit level included	•	•	•

### Guarantee

TÜV certified			
Guarantee	10 years	10 years	10 years

### General

Colour	Black	Black	Black
Article number	3836150 (Black)	3834150 (Black)	3832150 (Black)
EAN single box	8712285347849 (Black)	8712285347740 (Black)	8712285347641 (Black)

What's in the box	<ul style="list-style-type: none"> <li>• Wall mount</li> <li>• Wall mounting kit with fischer® Duo Power plugs</li> <li>• TV fasteners kit</li> <li>• Protective TV patches</li> <li>• Spirit level</li> <li>• Quick Installation Guide</li> <li>• DrillRight™ AR app</li> <li>• Drilling template</li> </ul>	<ul style="list-style-type: none"> <li>• Wall mount</li> <li>• Wall mounting kit with fischer® Duo Power plugs</li> <li>• TV fasteners kit</li> <li>• Protective TV patches</li> <li>• Spirit level</li> <li>• Quick Installation Guide</li> <li>• DrillRight™ AR app</li> <li>• Drilling template</li> </ul>	<ul style="list-style-type: none"> <li>• Wall mount</li> <li>• Wall mounting kit with fischer® Duo Power plugs</li> <li>• TV fasteners kit</li> <li>• Protective TV patches</li> <li>• Spirit level</li> <li>• Quick Installation Guide</li> <li>• DrillRight™ AR app</li> <li>• Drilling template</li> </ul>
-------------------	---	---	---

Number in outer box (#)	4	4	4
-------------------------	---	---	---



# TV Wall Mounts

FIXED

## TVM 3605

Fixed TV Wall Mount



## TVM 3405

Fixed TV Wall Mount



## TVM 3205

Fixed TV Wall Mount



### Specifications

Min. / Max. TV screen sizes (inch)	40 / 100	32 / 77	19 / 50
Max. weight load (kg)	75	50	30
Max. VESA hole pattern (mm)	600 x 400	400 x 400	200 x 200
Min. distance to the wall (mm)	22	22	22
Spirit level included	•	•	•

### Guarantee

TÜV certified			
Guarantee	10 years	10 years	10 years

### General

Colour	Black	Black	Black
Article number	3836050 (Black)	3834050 (Black)	3832050 (Black)
EAN single box	8712285347825 (Black)	8712285347726 (Black)	8712285347627 (Black)

### What's in the box

- |   |   |   |
|---|---|---|
| <ul style="list-style-type: none"> <li>• Wall mount</li> <li>• Wall mounting kit with fischer® Duo Power plugs</li> <li>• TV fasteners kit</li> <li>• Protective TV patches</li> <li>• Spirit level</li> <li>• Quick Installation Guide</li> <li>• DrillRight™ AR app</li> <li>• Drilling template</li> </ul> | <ul style="list-style-type: none"> <li>• Wall mount</li> <li>• Wall mounting kit with fischer® Duo Power plugs</li> <li>• TV fasteners kit</li> <li>• Protective TV patches</li> <li>• Spirit level</li> <li>• Quick Installation Guide</li> <li>• DrillRight™ AR app</li> <li>• Drilling template</li> </ul> | <ul style="list-style-type: none"> <li>• Wall mount</li> <li>• Wall mounting kit with fischer® Duo Power plugs</li> <li>• TV fasteners kit</li> <li>• Protective TV patches</li> <li>• Spirit level</li> <li>• Quick Installation Guide</li> <li>• DrillRight™ AR app</li> <li>• Drilling template</li> </ul> |
|---|---|---|

Number in outer box (#)	4	4	4
-------------------------	---	---	---







## TV wall mount Accessories

Hide messy cable clutter from sight with our range of cable concealing solutions.

Or create the ultimate TV audio experience with the sound bar solutions from Vogel's. By mounting the sound bar to our TV wall mount, the sound turns with your TV. We have a solution for virtually any sound bar brand.

**TVA 7000**  
Universal cable cover



**TVA 6000**  
Cable Cover



**Specifications**

Max. number of cables to hold	Up to 6 cables	Up to 4 cables
Cable cover length (cm)	100 cm	80 cm
Width (mm)	72	59
Depth (mm)	14	14
Max. weight load (kg)		

**Guarantee**

Guarantee	2 years	2 years
-----------	---------	---------

**General**

Colour	Black   White	Black   White
Article number	6870000 (Black) 6870001 (White)	6860000 (Black) 6860001 (White)
EAN single box	8712285359200 (Black) 8712285359224 (White)	8712285350429 (Black) 8712285350443 (White)
Number in outer box (#)	10	10



## TVA 6201

Cable Straps



## TVA 6202

Cable sleeve



### Specifications

Max. number of cables to hold	Up to 10 cables	Up to 4 cables
Cable cover length (cm)		100 cm
Width (mm)	20	20
Depth (mm)		
Max. weight load (kg)		

### Guarantee

Guarantee	2 years	2 years
-----------	---------	---------

### General

Colour	Black	Black
Article number	6862010	6862020
EAN single box	8712285350467	8712285350481
Number in outer box (#)	40	20



**TVA 6203**

Cable management kit



**TVA 6400**

Media Box Mount



140
2 years
6862030
8712285350504
10

130
45
1.5
2 years
Black
6864000
8712285350528
20



mm/inch

## TVA 6950 Stud adapter



### Specifications

Max. weight load (kg)

75

### Guarantee

TÜV certified



Guarantee

2 years

### General

Colour

Black

Article number

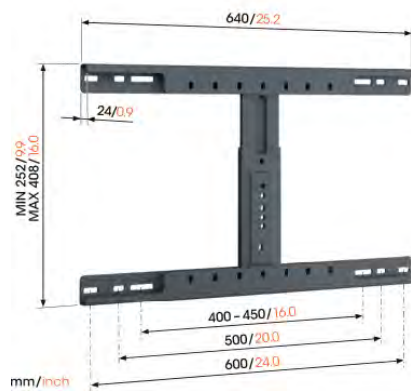
6869500

EAN single box

8712285359187

Number in outer box (#)

3



**SOUND 3550**  
Soundbar mount



**Specifications**

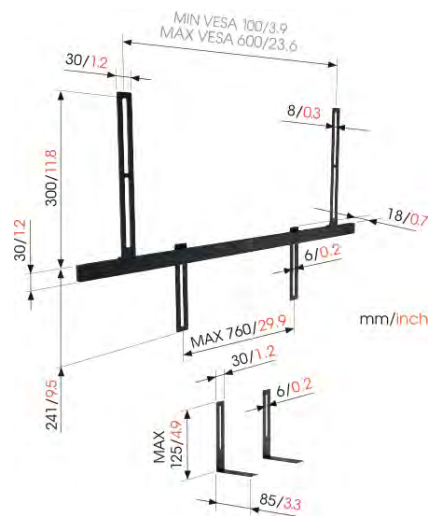
Speaker models	<ul style="list-style-type: none"> <li>• Bose SoundTouch 300/700</li> <li>• Sonos Arc</li> <li>• Sonos PLAYBAR</li> <li>• Universal</li> </ul>
Height adjustable (mm)	•
Max. weight load (kg)	6.5
Cable management	Cable clip

**Guarantee**

TÜV certified	
Guarantee	5 years

**General**

Colour	Black
Article number	8153550
EAN single box	8712285343582
What's in the box	<ul style="list-style-type: none"> <li>• Cable clips</li> <li>• TV fasteners kit</li> <li>• Allen key</li> <li>• Mounting instructions</li> </ul>
Number in outer box (#)	4





## TV Floor Stands for your home

### **Place your TV anywhere you like**

We offer practical and attractive alternatives to wall mounts as well.

Floor stands take up less space than a traditional cabinet and can be placed anywhere in the room.

TV FLOOR STANDS

**TVS 3695**  
TV Floor Stand



**TVS 3690**  
TV Floor Stand



**Specifications**

Min. / Max. TV screen size (inch)	40 / 77	40 / 77
Max. weight load (kg)	50	50
Max. VESA hole pattern (mm)	600 x 400	600 x 400
Height (mm)	1100	1100
Min. distance to floor - center display (mm)		
Cable management	<ul style="list-style-type: none"> <li>• Cable clips</li> <li>• Integrated cable management</li> </ul>	Integrated cable management

**Guarantee**

TÜV certified		
Guarantee	10 years	10 years
Certifications	PEFC, TÜV	TÜV

**General**

Colour	Oak & Steel (black)   Oak & Steel (white)	Steel (black)
Article number	3836950 (Oak & Steel (black)) 3836951 (Oak & Steel (white))	3836900
EAN single box	8712285353345 (Oak & Steel (black)) 8712285353369 (Oak & Steel (white))	8712285355189
What's in the box	<ul style="list-style-type: none"> <li>• Floor stand</li> <li>• Interface</li> <li>• Cable clips</li> <li>• TV fasteners kit</li> <li>• Protective TV patches</li> <li>• Quick Installation Guide</li> <li>• Allen key (8mm)</li> </ul>	<ul style="list-style-type: none"> <li>• Floor stand</li> <li>• Interface</li> <li>• TV fasteners kit</li> <li>• Protective TV patches</li> <li>• Quick Installation Guide</li> <li>• Allen key (8mm)</li> </ul>

**Awards**



## TV FLOOR STANDS

### NEXT OP1

TV Floor Stand



### NEXT OP2

TV Floor Stand



#### Specifications

Min. / Max. TV screen size (inch)	46 / 70	50 / 77
Max. weight load (kg)	40	50
Max. VESA hole pattern (mm)	400 x 400	400 x 400
Height (mm)	1110	1183
Min. distance to floor - center display (mm)	560	540
Cable management	Integrated cable management	Integrated cable management

#### Guarantee

TÜV certified		
Guarantee	2 years	2 years
Certifications	FSC, TÜV	FSC, TÜV

#### General

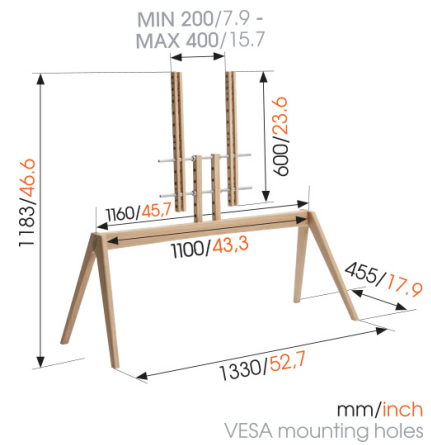
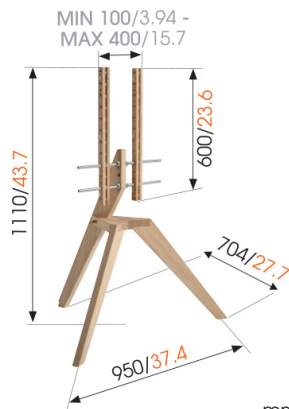
Colour	Light oak	Light oak
Article number	8743232	8743242
EAN single box	8712285337543	8712285342127

#### What's in the box

- TV fasteners kit
- Allen key
- Mounting instructions

- TV fasteners kit
- Allen key
- Mounting instructions

#### Awards







## SOUND solutions

Enjoy the music you love even more. Vogel's offers a variety of solutions with our line of speaker wall mounts and stands. We specialize in solutions for the popular brand Sonos.



SONOS

## SOUND 4201

Speaker Wall Mount for Sonos One (SL) & Play:1



## SOUND 4301

Speaker stand for Sonos One (SL) & Play:1





### Specifications

Speaker models	<ul style="list-style-type: none"> <li>• Sonos One</li> <li>• Sonos PLAY:1</li> </ul>	<ul style="list-style-type: none"> <li>• Sonos One</li> <li>• Sonos PLAY:1</li> </ul>
Turn	Up to 70°	
Tilt	Tilt -30°/+30°	
Max. weight load (kg)	5	5
Cable management		Integrated cable management
Spirit level included	•	•

### Guarantee

TÜV certified		
Guarantee	5 years	5 years

### General

Colour	Black   White	Black   White
Article number	8152020 (Black) 8152021 (White)	8153020 (Black) 8153021 (White)
EAN single box	8712285341403 (Black) 8712285341427 (White)	8712285341441 (Black) 8712285341465 (White)
What's in the box	<ul style="list-style-type: none"> <li>• Spirit level</li> <li>• Mounting instructions</li> <li>• Wall mounting kit</li> </ul>	Mounting instructions
Number in outer box (#)	4	2
Awards		



# Universal speaker wall mounts & stands

## UNIVERSAL

### SOUND 3305

Speaker Stand



### SOUND 3205

Speaker Wall Mount



### SOUND 3200

Speaker Wall Mount



#### Specifications

Speaker models

- Denon HEOS 5
- Denon HEOS 7
- Sonos PLAY:5
- Sonos Five
- Universal

- Denon HEOS 5
- Denon HEOS 7
- Sonos PLAY:5 (Gen 2)
- Sonos Five
- Universal

Universal

Turn

Up to 70°

Up to 70°

Tilt

Tilt up to 10°

Tilt -30°/+30°

Max. weight load (kg)

6.5

6.5

5

Spirit level included

•

#### Guarantee

TÜV certified



Guarantee

5 years

5 years

5 years

#### General

Colour

Black | White

Black | White

Black | White

Article number

8153350 (Black)  
8153351 (White)

8153250 (Black)  
8153251 (White)

8152000 (Black)  
8152001 (White)

EAN single box

8712285337345 (Black)  
8712285337369 (White)

8712285337307 (Black)  
8712285337321 (White)

8712285329586 (Black)  
8712285329609 (White)

What's in the box

- Allen key
- Mounting instructions

- Allen key
- Mounting instructions
- Wall mounting kit

- Spirit level
- Mounting instructions
- Wall mounting kit

Number in outer box (#)

2

4



## VLB 500

Speaker Wall Mounts



Universal

Up to 180°  
Tilt up to 20°  
5

5 years

Black | Silver  
8105000 (Black)  
8105004 (Silver)  
8712285314186 (Black)  
8712285314209 (Silver)

Mounting instructions

6



## VLB 200

Speaker Wall Mounts



Universal

Up to 90°  
Tilt up to 15°  
20

5 years

Black  
8120200

8712285001024

Mounting instructions

3



# Wall mounts & stands for Sonos Era

## SONOS ERA

### SWM 4111

Sonos speaker wall mount for Era 100

### SWM 4131

Sonos speaker wall mount for Era 300

### SFS 4113

Sonos speaker stand for Era 100



#### Specifications

Speaker models	Sonos Era 100	Sonos Era 300	Sonos Era 100
Turn	Up to 70°	Up to 60°	
Tilt	Tilt -30°/+30°	Tilt -30°/+30°	
Max. weight load (kg)	2	4.4	2
Cable management			<ul style="list-style-type: none"> <li>• Integrated cable management</li> <li>• CIS® Cable Inlay System</li> </ul>
Spirit level included	•	•	

#### Guarantee

TÜV certified			
Guarantee	5 years	5 years	5 years

#### General

Colour	Black   White	Black   White	Black   White
Article number	8151110 (Black) 8151111 (White)	8151310 (Black) 8151311 (White)	8151130 (Black) 8151131 (White)
EAN single box	8712285371820 (Black) 8712285371844 (White)	8712285371868 (Black) 8712285371882 (White)	8712285371905 (Black) 8712285371929 (White)
What's in the box	<ul style="list-style-type: none"> <li>• Wall mount</li> <li>• Wall mounting kit with fischer® Duo Power plugs</li> <li>• Spirit level</li> <li>• Quick Installation Guide</li> </ul>	<ul style="list-style-type: none"> <li>• Wall mount</li> <li>• Wall mounting kit with fischer® Duo Power plugs</li> <li>• Spirit level</li> <li>• Quick Installation Guide</li> </ul>	<ul style="list-style-type: none"> <li>• Floor stand</li> <li>• Quick Installation Guide</li> </ul>
Number in outer box (#)	4	4	2



**SFS 4133**

Sonos speaker stand for Era 300



Sonos Era 300

4.4

- Integrated cable management
- CIS® Cable Inlay System



5 years

Black | White

8151330 (Black)

8151331 (White)

8712285371943 (Black)

8712285371967 (White)

- Floor stand
- Quick Installation Guide

2





## Projector solutions

Mount your projector on the wall with style. You can easily position your projector and secure it to maintain a stable image while viewing with the adjust & secure feature. It comes with the universal Projector Connector that fits virtually every projector weighing up to 10 kg.

## PROJECTOR CEILING AND WALL MOUNTS

### EPC 6545

Projector Ceiling Mount



### EPW 6565

Projector Wall Mount



### PPC 1500

Projector Ceiling Mount



#### Specifications

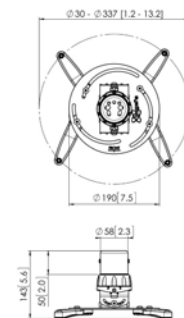
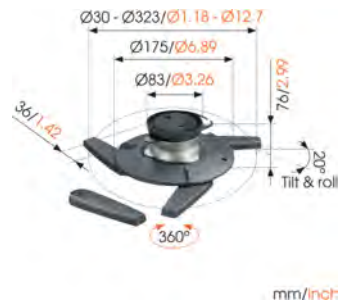
Max. weight load (kg)	10	10	20
Turn	Up to 360°	Up to 360°	Up to 360°
Tilt	Tilt up to 20°	Tilt up to 20°	Tilt up to 15°
Range (diameter)			30 - 337 mm
Min. distance to ceiling (mm)			124
Max. distance to ceiling (mm)	76		124

#### Guarantee

TÜV certified			
Guarantee	10 years	10 years	5 years

#### General

Colour	Silver	Silver	Silver   White
Article number	8027454	8023654	7015014 (Silver) 7015001 (White)
EAN single box	8712285311420	8712285311444	8712285325069 (Silver) 8712285325144 (White)
Number in outer box (#)	3	3	0
Awards			





## Tablet Solutions

Enjoy your tablet with all its favourite entertainment and apps in the car, kitchen or bathroom with Vogel's Tablet Mounts.



## TABLET SOLUTIONS

**TMS 1050**  
Tablet Dashboard Pack



**TMS 1020**  
Tablet Car Pack



**TMS 1030**  
Tablet Flex Pack



**Specifications**

Tablet Brand and Model(s)	Universal	Universal	Universal
Tablet usage	In a car	In a car	At home
Min. screen size (inch)	10	10	10
Max. screen size (inch)	12	13	13
Max. weight load (kg)	1	1	2
Max. screen depth (mm)	13	13	13
Rotate	Up to 360°	Up to 360°	Up to 360°
Tilt		Tilt up to 15°	Tilt up to 15°
Min. distance to the wall (mm)			40
Max. distance to the wall (mm)			200

**Guarantee**

Guarantee	Lifetime	5 years	5 years
-----------	----------	---------	---------

**General**

Colour	Black	Black	Silver
Article number	8371500	8371020	8371030
EAN single box	8712285326769	8712285326721	8712285326745
Number in outer box (#)	6	6	6

**Awards**



\*Fits all tablets  
7" up to 13"



min. 150 mm / max. 220 mm

tablet thickness  
min. 5 mm / max. 13 mm

\*Fits all tablets  
7" up to 13"



min. 150 mm / max. 220 mm

tablet thickness  
min. 5 mm / max. 13 mm

\*Fits all tablets  
7" up to 13"



min. 150 mm / max. 220 mm

tablet thickness  
min. 5 mm / max. 13 mm

**TMS 1010**

Tablet Wall Pack



Universal

At home

10

13

1

13

Up to 360°

5

5 years

Black

8371010

8712285326707

6



\*Fits all tablets  
7" up to 13"



min. 150 mm / max. 220 mm

tablet thickness  
min. 5 mm / max. 13 mm

# Index

<u>Type nr.</u>	<u>Pag.</u>	<u>Type nr.</u>	<u>Pag.</u>	<u>Type nr.</u>	<u>Pag.</u>	<u>Type nr.</u>	<u>Pag.</u>	<u>Type nr.</u>	<u>Pag.</u>
<b>E</b>		SOUND 3200	34	TVA 6400	25	TVM 3600 Series	20	TVM 7670P Series	9
EPC 6545	37	SOUND 3205	34	TVA 6950	26	TVM 3610 Series	19	TVM 7675	9
EPW 6565	37	SOUND 3305	34	TVA 7000	23	TVM 3620 Series	18	TVS 3690	29
ERA 4111	36	SOUND 3550	27	TVM 3200 Series	20	TVM 3640 Series	17	TVS 3695	29
ERA 4131	36	SOUND 4113	33	TVM 3210 Series	19	TVM 3660 Series	16	TMS 1010	42
ERA 4133	37	SOUND 4201	33	TVM 3220 Series	18	TVM 3840 Series	15	TMS 1020	41
ERA 4113	36	SOUND 4301	33	TVM 3240 Series	17	TVM 5400 Series	13	TMS 1030	41
				TVM 3400 SP Series	15	TVM 5440 Series	12	TMS 1050	41
<b>N</b>		<b>T</b>		TVM 3400 Series	20	TVM 5600 Series	13	<b>V</b>	
NEXT OP1	30	TVA 6000	23	TVM 3410 Series	19	TVM 5640 Series	12	VLB 200	35
		TVA 6201	24	TVM 3420 Series	18	TVM 5840 Series	11	VLB 500	35
<b>P</b>		TVA 6202	24	TVM 3440 Series	17	TVM 5850 Series	11		
PPC 1500	37	TVA 6203	25	TVM 3460 Series	16	TVM 7655	9		
<b>S</b>									
SOUND 1250	27								

**Follow Vogel's:**



[/VogelsForSure](#)



[/VogelsForSure](#)



[/company/vogels](#)



[/VogelsForSure](#)



[/vogels\\_official](#)

Retail-catalogus-EN-2023 PX53480 ©Vogel's Holding BV. All rights reserved.

**Disclaimer**

While every effort is made to ensure the accuracy of the information provided, Vogel's shall not be held responsible for any errors. This also applies to mistakes or omissions in respect of prices or measurements.

Not all products are available in every country.

**Vogel's. For Sure.**