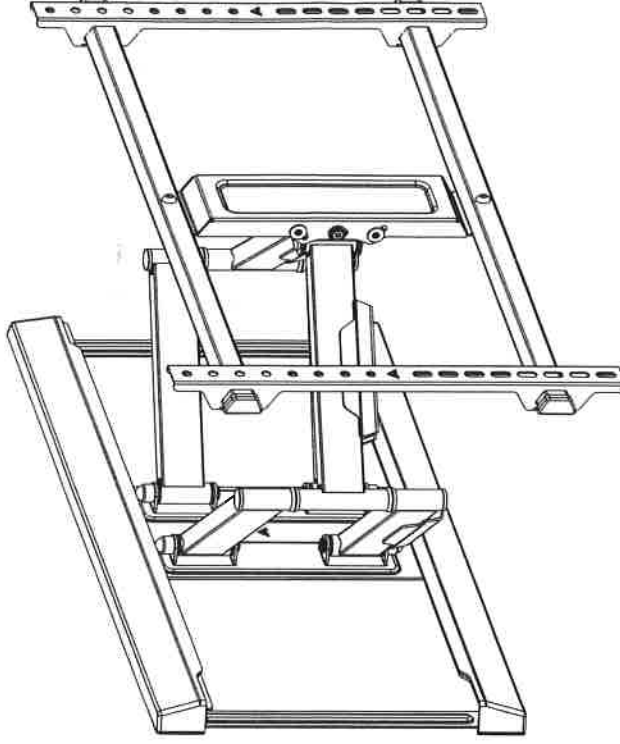


# EZymount

## Installation Instructions

### Full Motion TV Wall Mount



# EZymount

## CANOHM

4/30 Prohasky Street  
Port Melbourne, Victoria  
3207 Australia

Telephone 1800 636 026

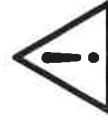
Email [sales@canohm.com.au](mailto:sales@canohm.com.au)  
[www.ezymount.com.au](http://www.ezymount.com.au)

Please dispose of this packaging  
in a responsible manner – recycle  
cardboard/plastic wherever possible.

VESA Compatible  
200x100 200x200 300x200  
400x200 300x300 400x300  
400x400 800x400

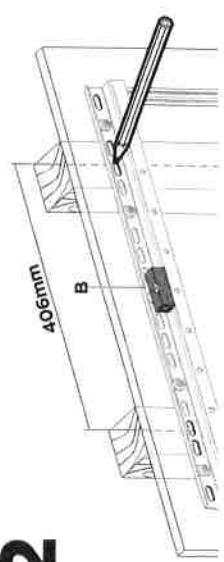
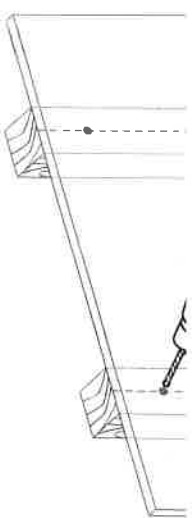
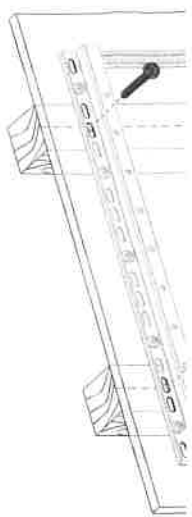
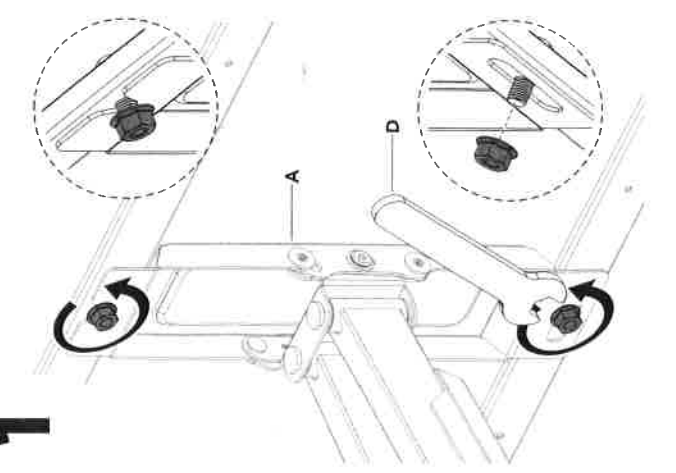
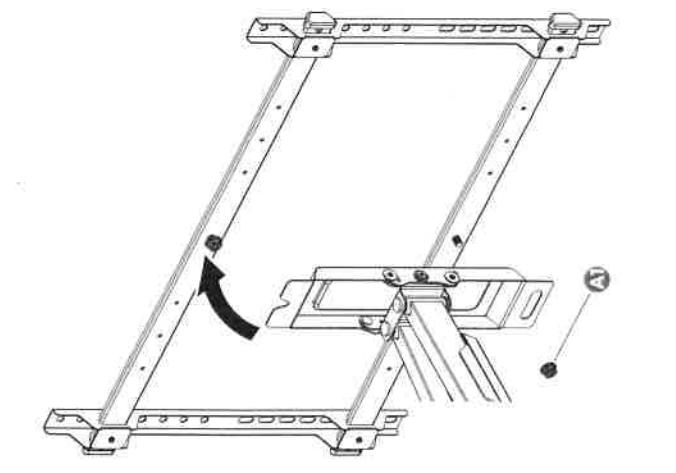
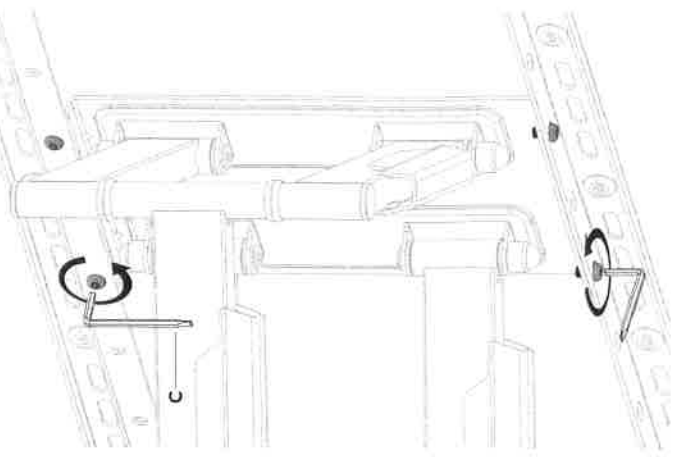
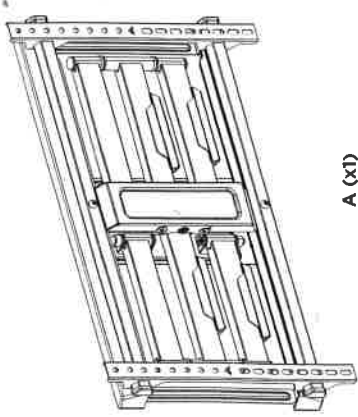
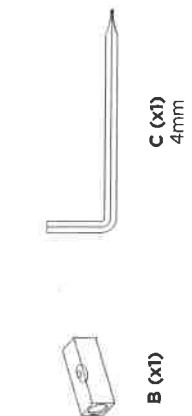
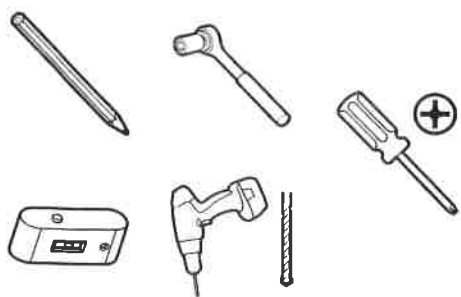
37"-80"  
FLAT/CURVED

Up to  
60kg



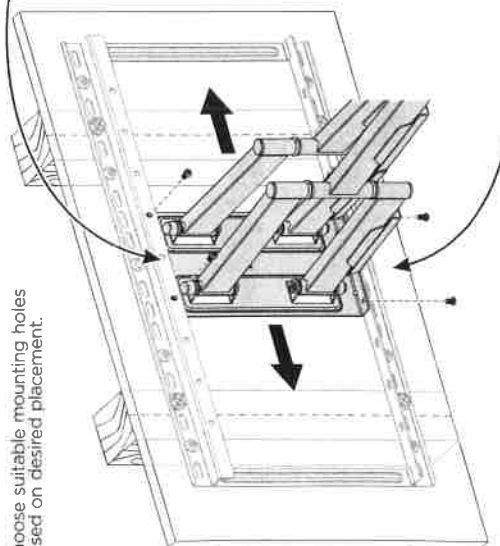
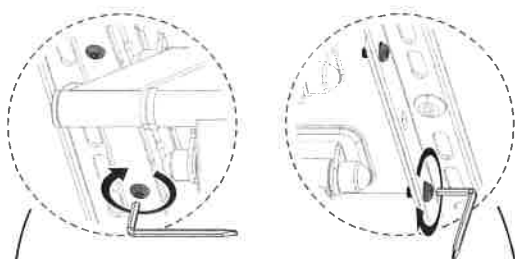
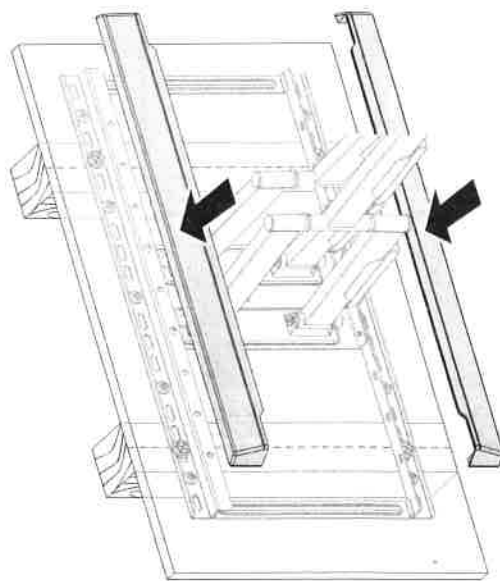
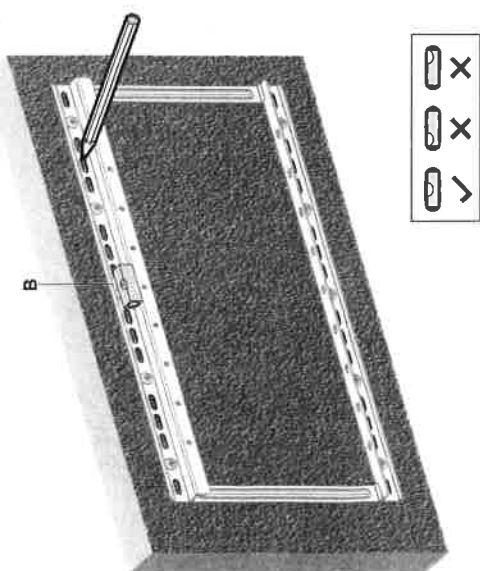
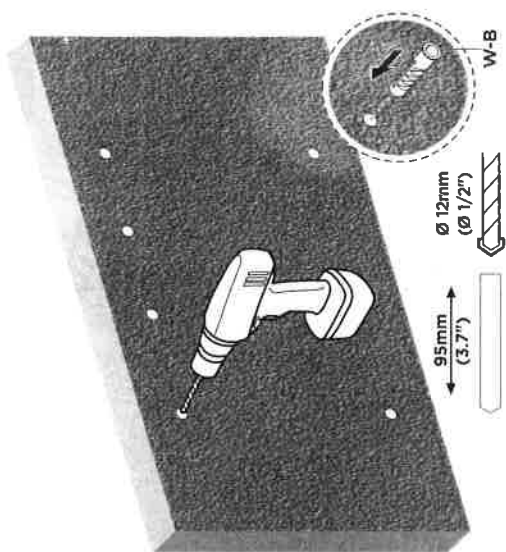
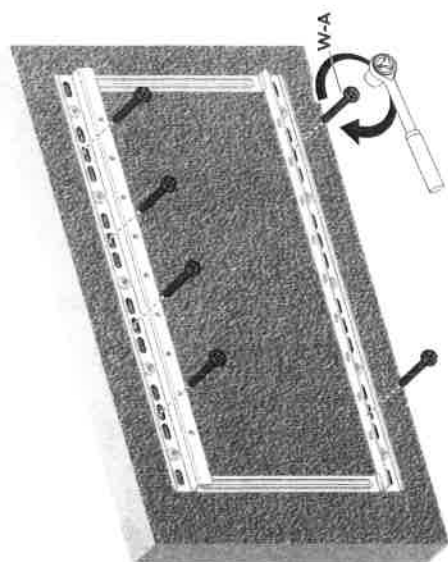
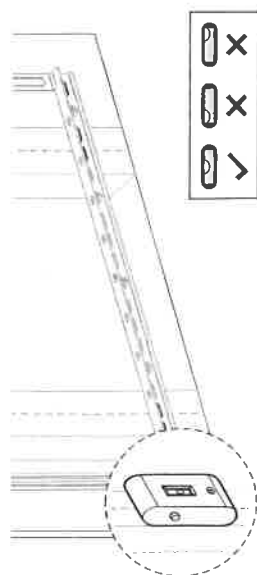
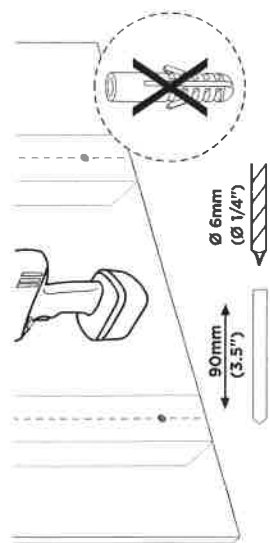
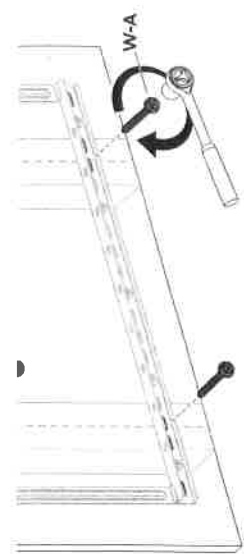
**CAUTION: DO NOT EXCEED  
RATED LISTED WEIGHT. SERIOUS  
INJURY OR PROPERTY DAMAGE  
MAY OCCUR!**

## VLM-5500



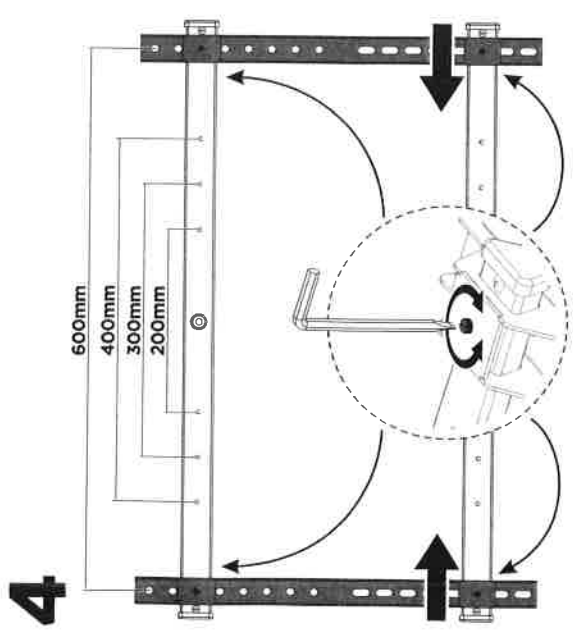
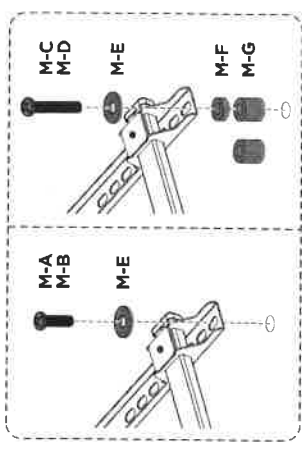
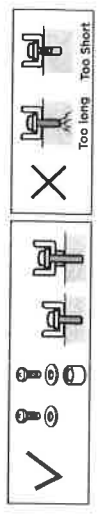
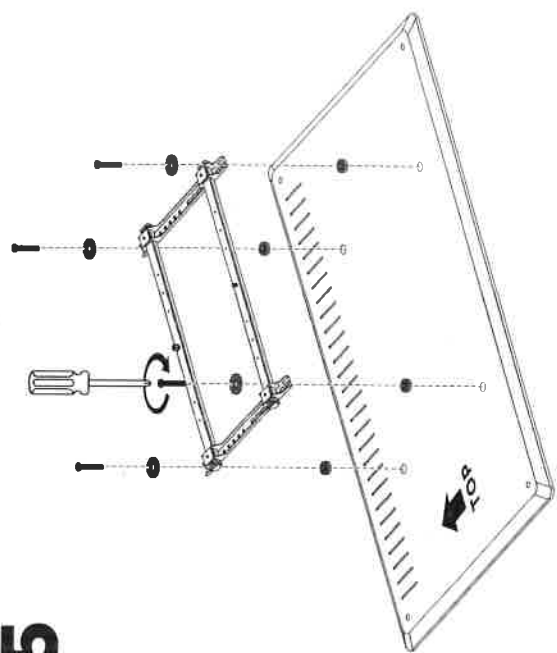
**1**

**2**



Choose suitable mounting holes based on desired placement.

5



4

6

