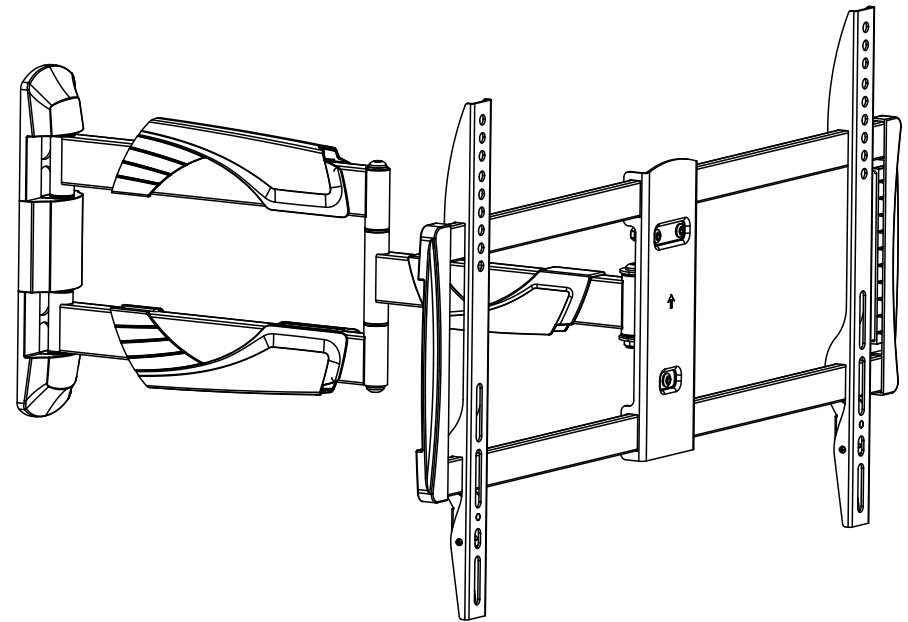


EZYmount

Installation Instructions

Full Motion LED, LCD TV Wall Mount



EZYmount

Please dispose of this packaging in a responsible manner – recycle cardboard/plastic wherever possible.

CANOHM

4/30 Prohasky Street
Port Melbourne, Victoria, 3207
Australia

Telephone 03 9644 7888
Facsimile 03 9646 7366
Email sales@canohm.com.au
www.canohm.com.au



CAUTION: DO NOT EXCEED RATED LISTED WEIGHT. SERIOUS INJURY OR PROPERTY DAMAGE MAY OCCUR!

VLM-4600



200x200/300x200
300x300/400x200
400x400/600x400

70"
MAX



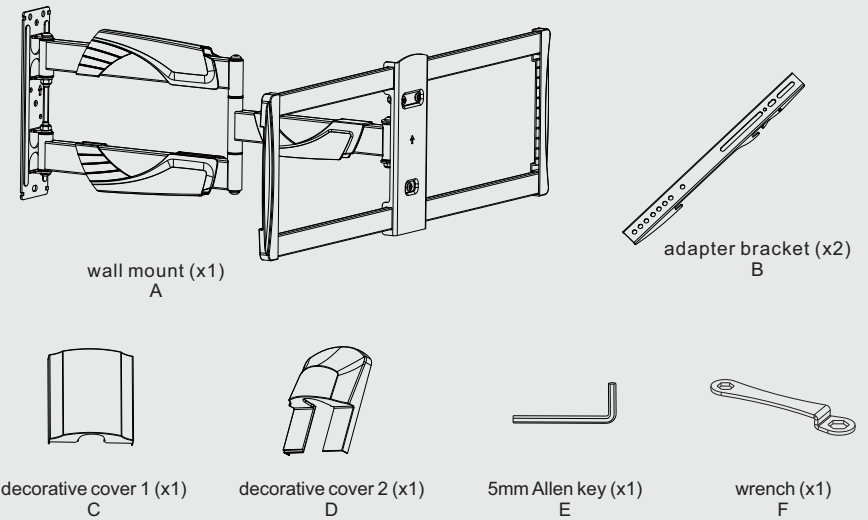
NOTE: Read the entire instruction manual before you start installation and assembly.

WARNING

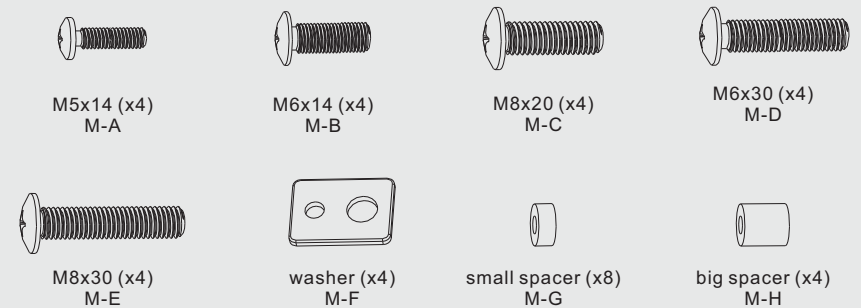
- Do not begin the installation until you have read and understood all the instructions and warnings contained in this installation sheet. If you have any questions regarding any of the instructions or warnings, please contact your local distributor.
- This mounting bracket was designed to be installed and utilised **ONLY** as specified in this manual. Improper installation of this product may cause damage or serious injury.
- This product should only be installed by someone with good mechanical ability who has basic building experience and fully understands this manual.
- Make sure that the supporting surface will safely support the combined weight of the equipment and all attached hardware and components.
- If mounting to wood wall studs, make sure that mounting screws are anchored into the centre of the studs. The use of a stud finder is highly recommended.
- Always use an assistant or mechanical lifting equipment to safely lift and position the equipment.
- Tighten screws firmly, but do not over tighten. Over tightening can cause damage to the items, This greatly reduces their holding power.
- This product is intended for indoor use only. Using this product outdoors could lead to product failure and personal injury.

Component Checklist

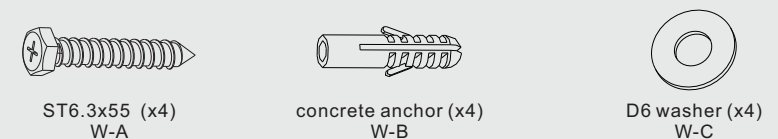
IMPORTANT: Ensure that you have received all parts according to the component checklist prior to installation. If any parts are missing or faulty, telephone your local distributor for a replacement.



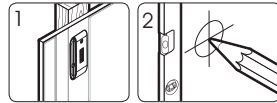
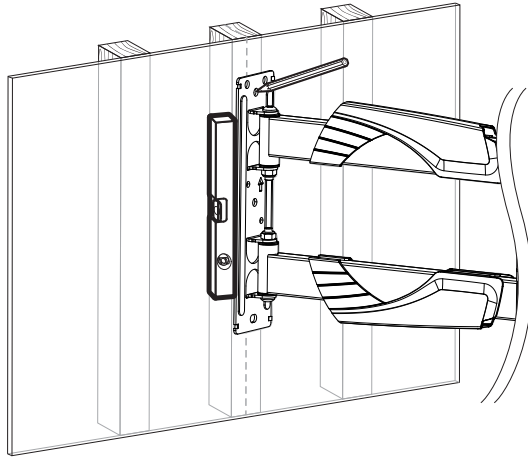
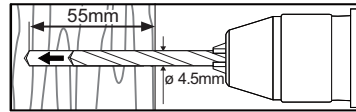
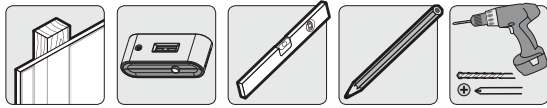
Package M



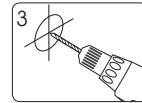
Package W



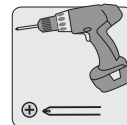
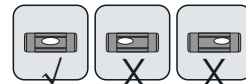
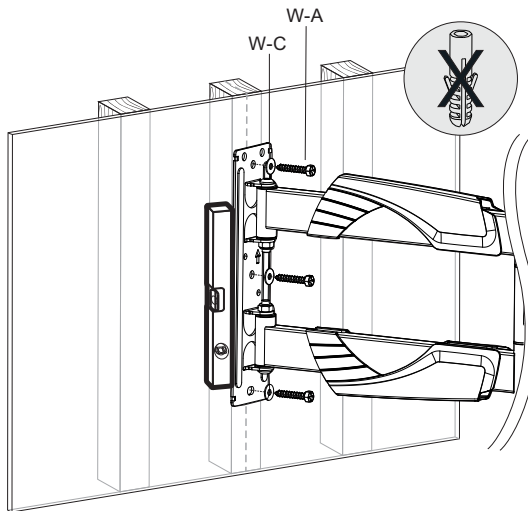
1a. For Wood Stud Wall Mounting



Find and mark the exact location of mounting holes



Drill pilot holes

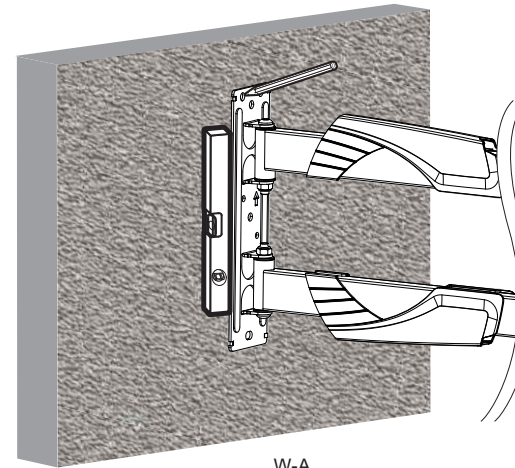
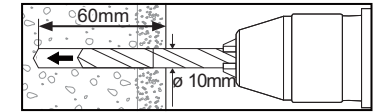
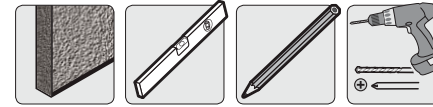


Screw the wall mount onto the wall

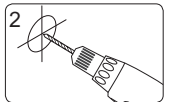
⚠ WARNING

- Make sure that mounting screws are anchored into the centre of the studs. The use of a stud finder is highly recommended.
- Installers are responsible to provide hardware for other types of mounting situations.
- Installers must verify that the supporting surface will safely support the combined weight of the equipment and all attached hardware and components.

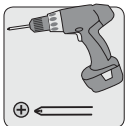
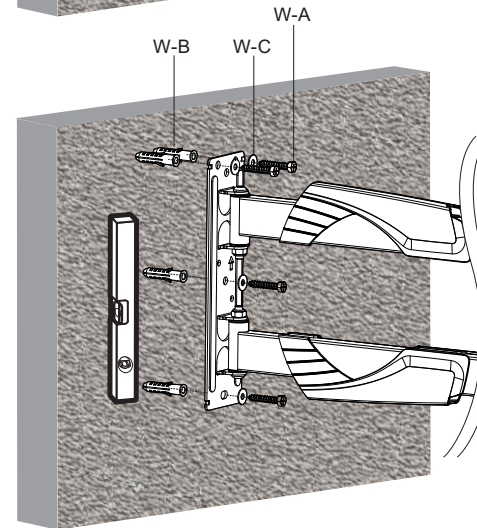
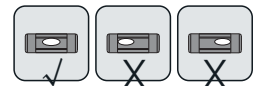
1b. For Solid Brick and Concrete Mounting



Mark the exact location of mounting holes



Drill pilot holes

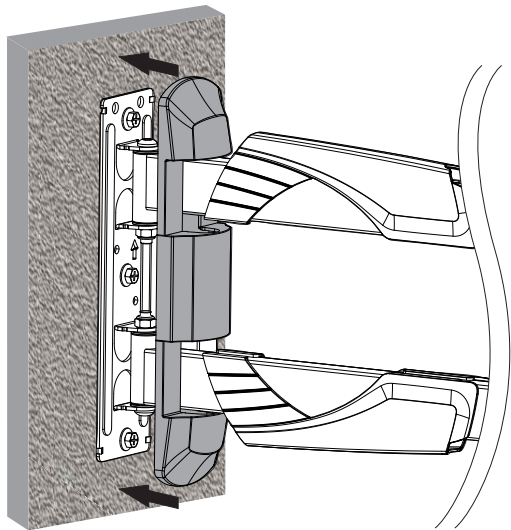


Screw the wall mount onto the wall

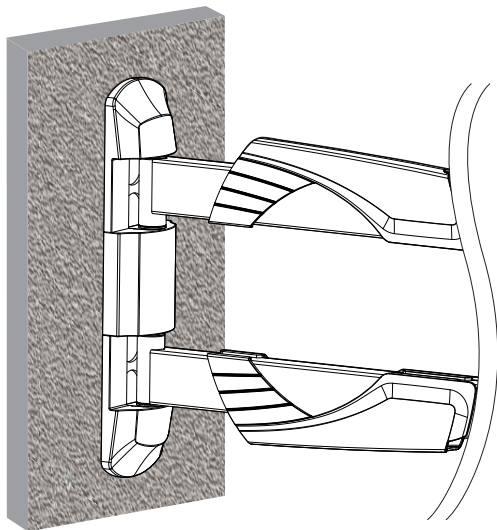
⚠ WARNING

Installers must verify that the supporting surface will safely support the combined weight of the equipment and all attached hardware and components.

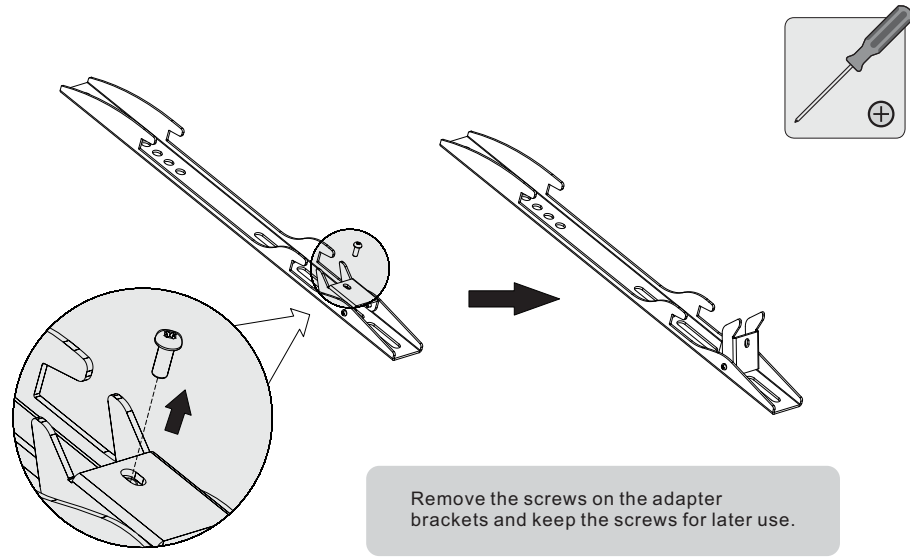
2. Installing the Decorative Covers



Install the decorative covers along the wall plate rail until they fit snugly onto the wall plate.

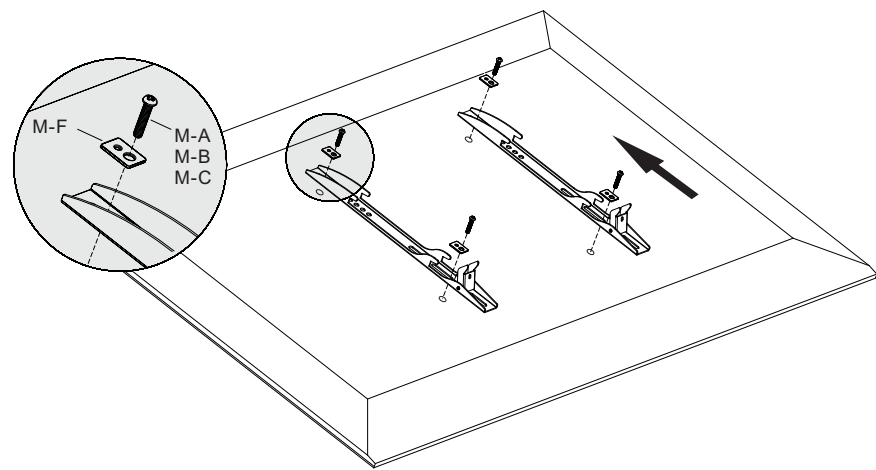
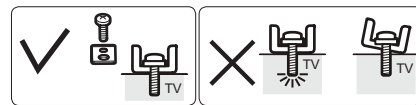


3. Installing the Adapter Brackets

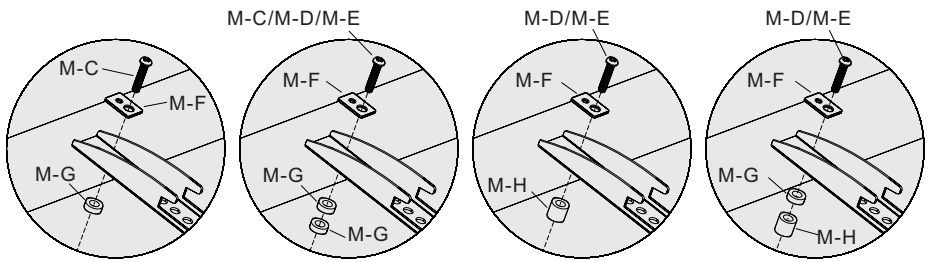
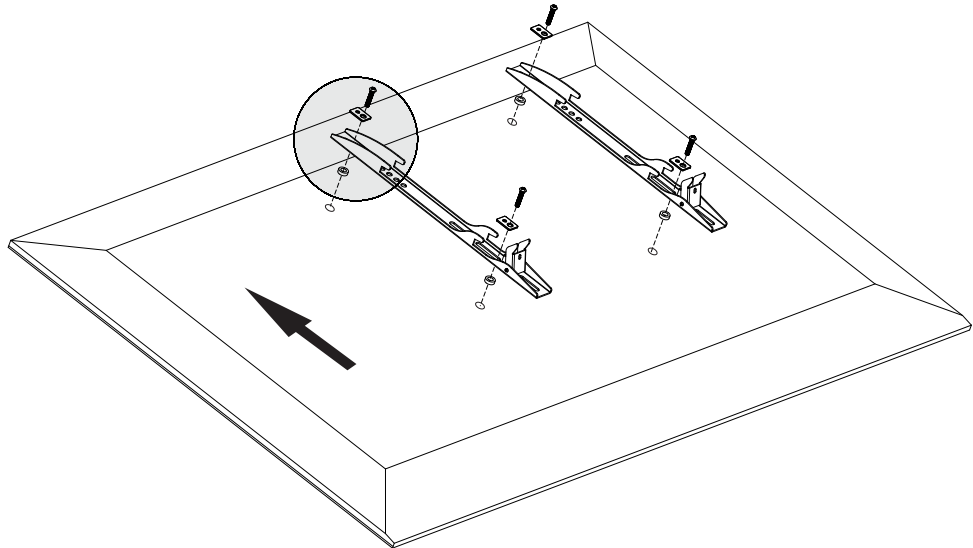


Remove the screws on the adapter brackets and keep the screws for later use.

3-1 For Flat Back Screens



3-2 For Recessed Back Screens or to Access A/V Inputs

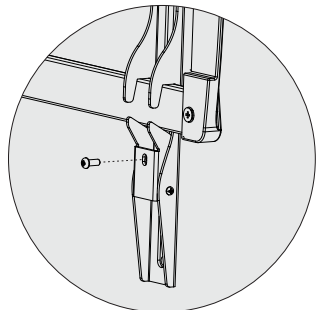
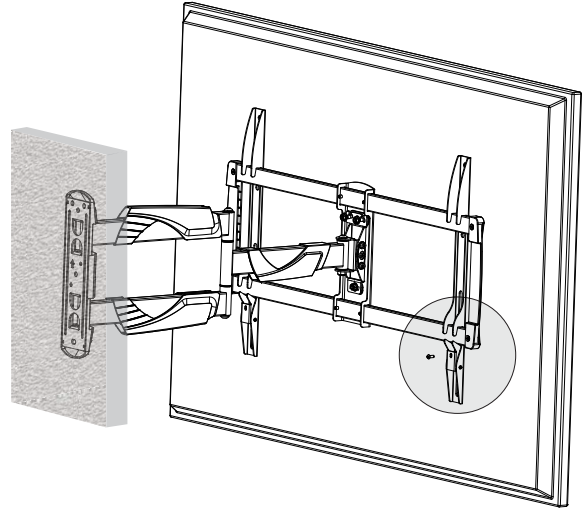
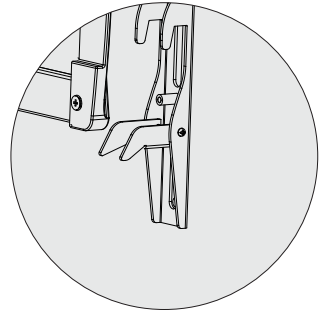
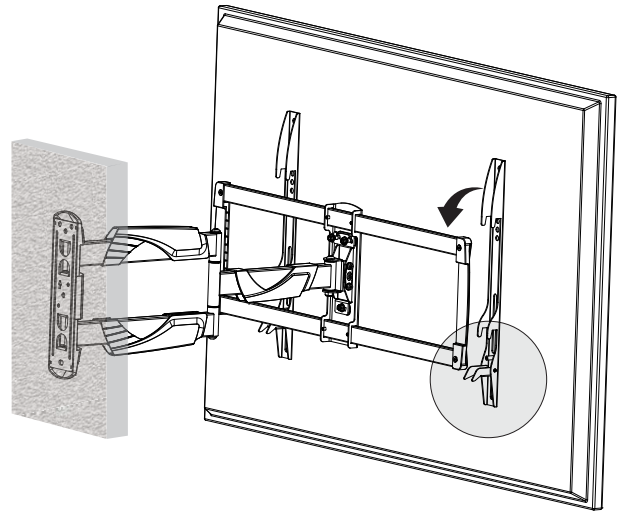


Note: Choose the appropriate screws, washers and spacers (if necessary) according to the type of screen.

- Position the adapter brackets as close as possible to the centre of the TV.
- Screw the adapter brackets onto the TV.

Tighten all screws but do not over tighten.

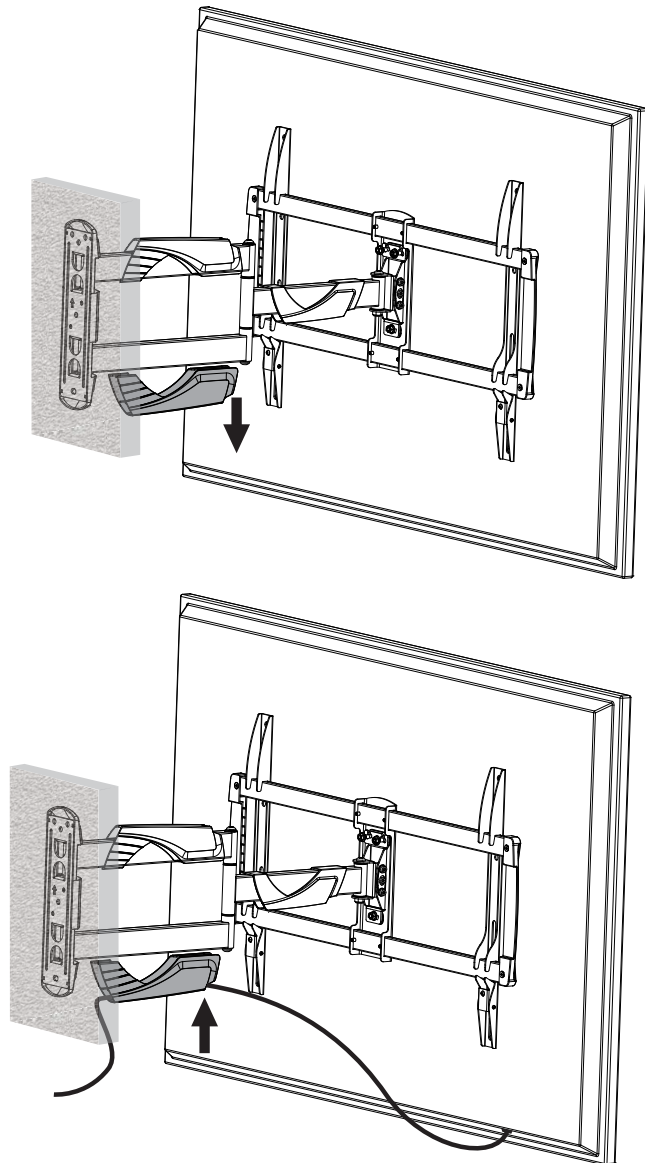
4. Hooking the TV onto the Wall Mount



Hook the TV over the top of the wall mount.

Tighten the previously removed screws to secure the adapter brackets.

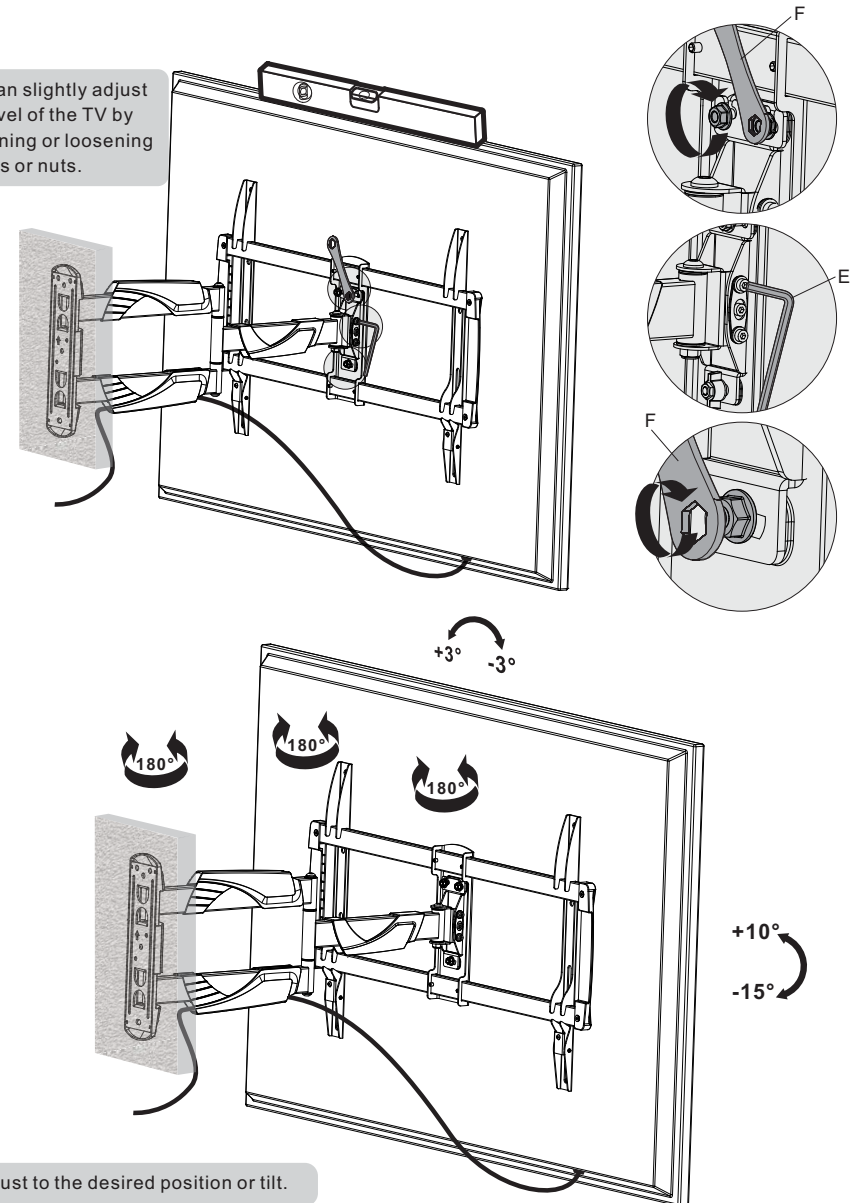
5. Cable Management



- Remove the cable covers to run the cables.
 - Re-attach the cable covers to hold the cables in place.
- Note:** • Leave slack in the cable for arm movement.
 • Route the power cable and the signal cable in different cable covers to avoid signal disturbance.

6. Adjustment

You can slightly adjust the level of the TV by tightening or loosening screws or nuts.



Adjust to the desired position or tilt.

Maintenance

- Check that the bracket is secure and safe to use at regular intervals (at least every three months).
- Please contact your dealer if you have any questions.