



Aluminum Interactive Counterbalance Monitor Arms



Vertical Adjustment
Gas Spring Assisted

Detachable VESA panel makes installation easier



Both grommet and desk clamp mounting available



Create a clean sleek look by concealing cables from sight



Built-in spring tension gauge adjusts for various arm weight loads



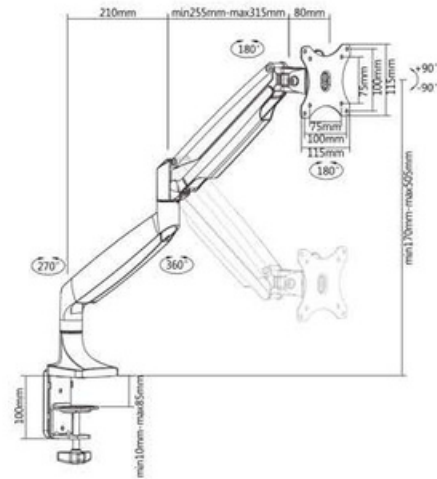
Added slots for holding tools in case of possible maintenance in future



Arm Extend: 525mm
EMA10-C12

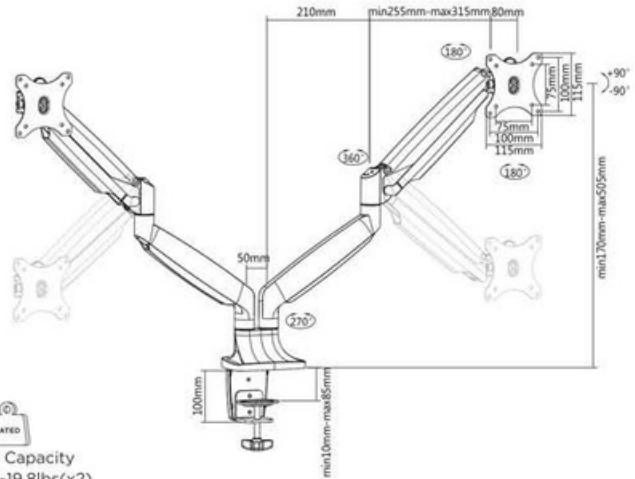
 **Weight Capacity**
1-9kg/2.2-19.8lbs

Compliant test to
ANSI/BIFMA mechanical safety
and performance standards.



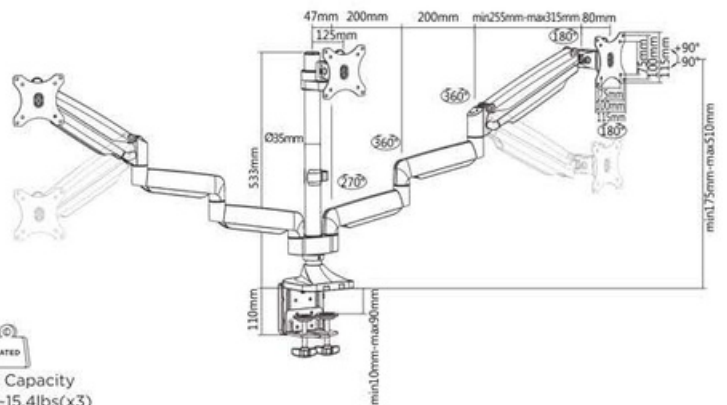
Arm Extend: 525mm
EMA10-C24

 **Weight Capacity**
1-9kg/2.2-19.8lbs(x2)



Arm Extend: 715mm
EMA10-C36

 **Weight Capacity**
1-7kg/2.2-15.4lbs(x3)



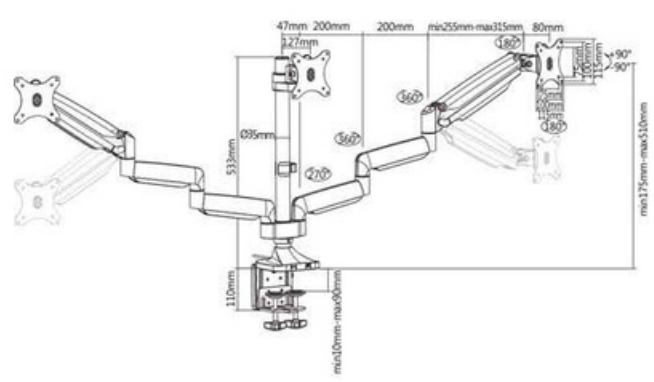
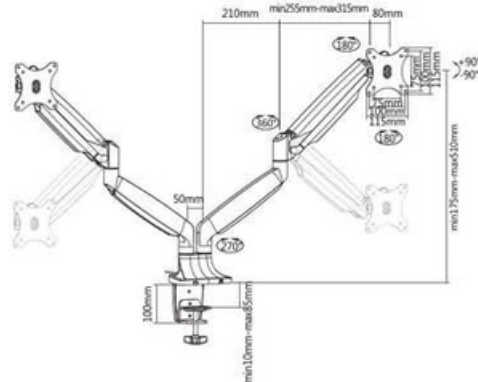
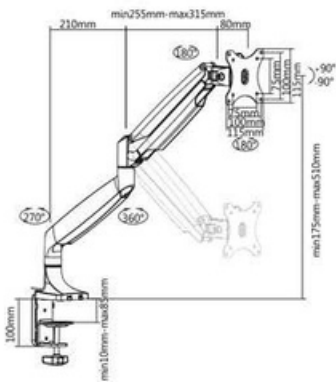
Aluminum Interactive Counterbalance Monitor Arms

Ergovida



3.0 USB Port and Audio Port on Base of the Mount

convenient for supporting data transfer, charging, headphones, and microphone.



- Screen Size 13"-32"
- Tilt Range +90°--90°
- Swivel Range +90°--90°
- Screen Rotation 180°
- VESA Compatible 75x75 100x100
- Curved Monitor
- Cable Management